



US009663234B1

(12) **United States Patent**
Hanlon

(10) **Patent No.:** **US 9,663,234 B1**
(45) **Date of Patent:** **May 30, 2017**

(54) **AERIAL PACKAGE DELIVERY SYSTEM**
(71) Applicant: **Amazon Technologies, Inc.**, Seattle, WA (US)
(72) Inventor: **Jon T. Hanlon**, Mercer Island, WA (US)
(73) Assignee: **Amazon Technologies, Inc.**, Seattle, WA (US)
(*) Notice: Subject to any disclaimer, the term of this patent is extended or adjusted under 35 U.S.C. 154(b) by 22 days.

2,206,910 A * 7/1940 McCarroll B64D 1/02
244/142
2,492,501 A * 12/1949 Robins B64D 1/02
244/138 R
2,687,263 A * 8/1954 Frieder et al. B64D 17/52
244/148
2,711,870 A * 6/1955 Martin B64D 17/52
244/149
2,717,133 A * 9/1955 Gregory B64D 17/52
244/148
3,032,303 A * 5/1962 Hatfield B64D 17/52
244/149
3,224,714 A * 12/1965 Mulcahy, Jr. B64D 1/22
244/138 R
3,342,439 A * 9/1967 Behrendt B64D 1/02
206/521

(21) Appl. No.: **14/836,112**

(Continued)

(22) Filed: **Aug. 26, 2015**

FOREIGN PATENT DOCUMENTS

(51) **Int. Cl.**
B64D 17/44 (2006.01)
B64D 1/12 (2006.01)
B64D 17/22 (2006.01)
B65D 5/42 (2006.01)

GB 2532482 A * 5/2016 B64D 1/08

Primary Examiner — Joseph W Sanderson
(74) *Attorney, Agent, or Firm* — Lee & Hayes, PLLC

(52) **U.S. Cl.**
CPC **B64D 17/44** (2013.01); **B64D 1/12** (2013.01); **B64D 17/22** (2013.01); **B65D 5/4233** (2013.01); **B64C 2201/128** (2013.01)

(57) **ABSTRACT**

Systems and methods for delivering packages via aerial vehicles are disclosed. The system can comprise a label that includes a parachute to enable the packages to be dropped from the aerial vehicle, yet land at the package's destination without damage. The system can include a self-adhesive backing, a plurality of parachute cords, a parachute, and a breakaway cover. The parachute cords can include a shock absorber to reduce the shock on the package of the parachute opening. The parachute and/or the breakaway cover can include graphics to provide address, velocity, or spin information for the package. The parachute cords can include a harness to separate the cords and reduce tangling of the cords and spinning of the parachute canopy with respect to the package.

(58) **Field of Classification Search**
CPC ... B64D 1/02; B64D 1/08; B64D 1/12; B64D 17/22; B64D 17/62; B64D 17/76; B64D 17/40; B64D 17/42; B64D 17/44
See application file for complete search history.

(56) **References Cited**

U.S. PATENT DOCUMENTS

2,100,693 A * 11/1937 Irvin B64D 17/52
244/148
2,178,551 A * 11/1939 Almgren A63H 33/20
446/51

20 Claims, 16 Drawing Sheets

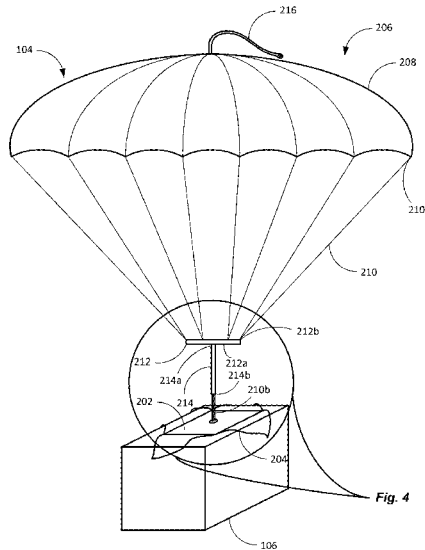


Fig. 4

(56)

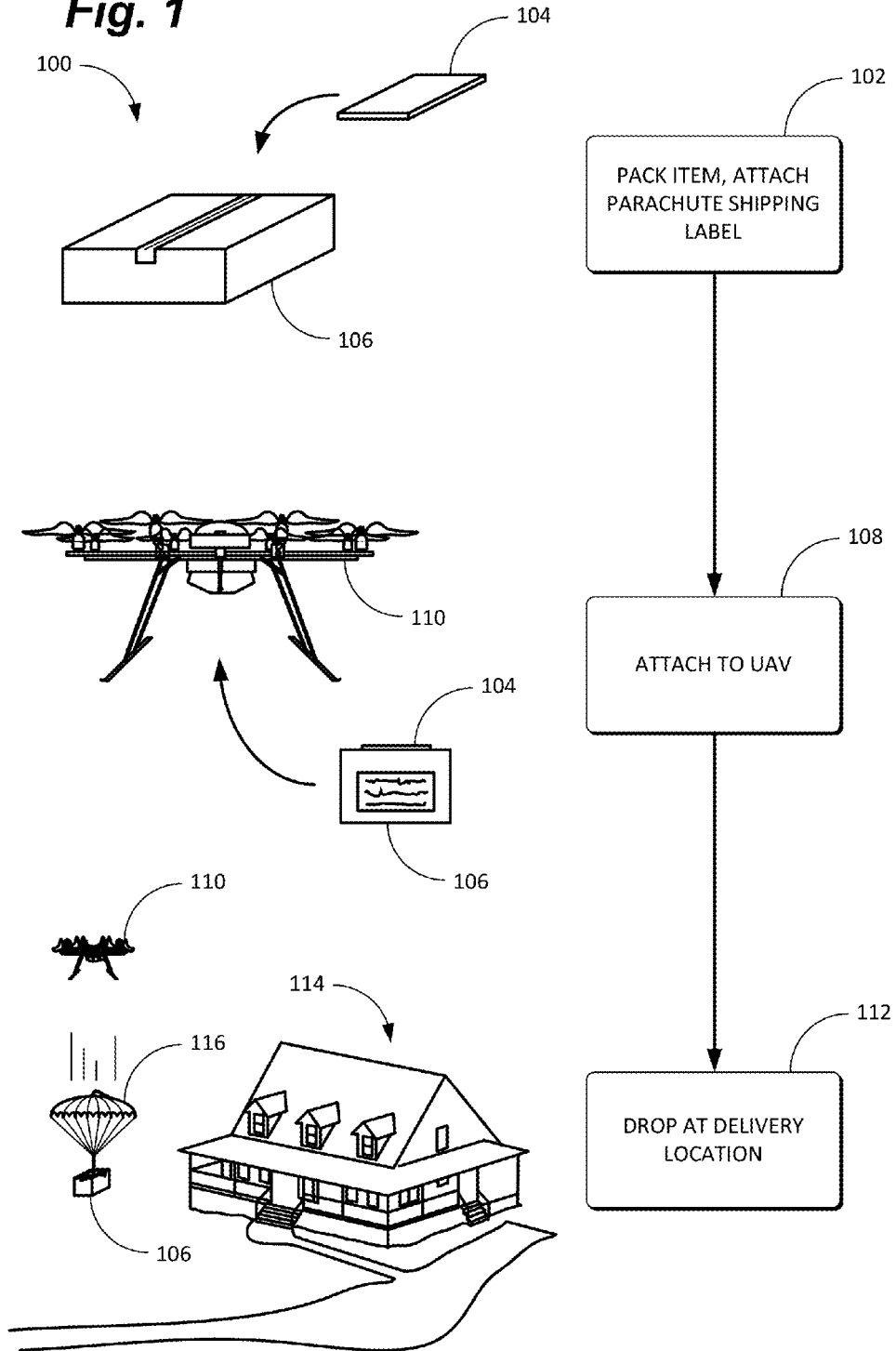
References Cited

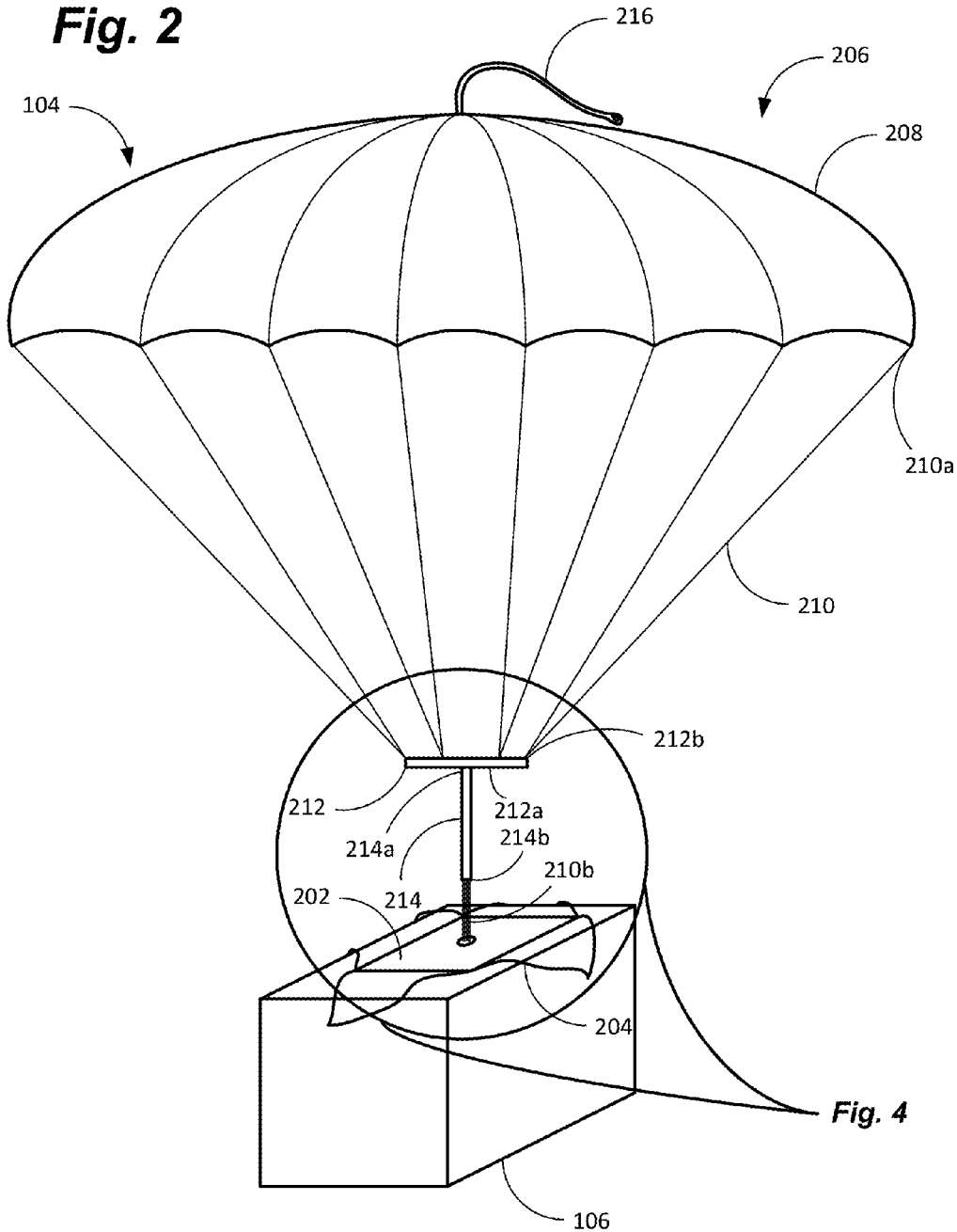
U.S. PATENT DOCUMENTS

3,603,536 A * 9/1971 Dochow B64D 1/02
244/142
3,690,604 A * 9/1972 Guilfoyle B64D 17/52
244/148
4,169,568 A * 10/1979 Drew B64D 17/42
206/524.8
4,577,816 A * 3/1986 Foster B65D 81/2023
206/524.8
4,577,817 A * 3/1986 Hernandez B65D 81/2023
206/524.8
4,664,342 A * 5/1987 Jones B64D 17/60
244/147
5,253,826 A * 10/1993 Coltman B64D 17/64
244/137.3
5,295,580 A * 3/1994 Hicks B65D 5/5054
206/588
6,776,374 B2 * 8/2004 LaSee B64D 17/40
244/139
7,059,570 B2 * 6/2006 Strong B64D 17/343
244/147
8,091,822 B2 * 1/2012 Boyce G09F 19/18
244/13
8,091,834 B2 * 1/2012 Berland B64D 17/025
244/142
9,457,902 B2 * 10/2016 Potter B64D 1/12
2011/0133036 A1 * 6/2011 Goddard B64D 1/16
244/137.3

* cited by examiner

Fig. 1





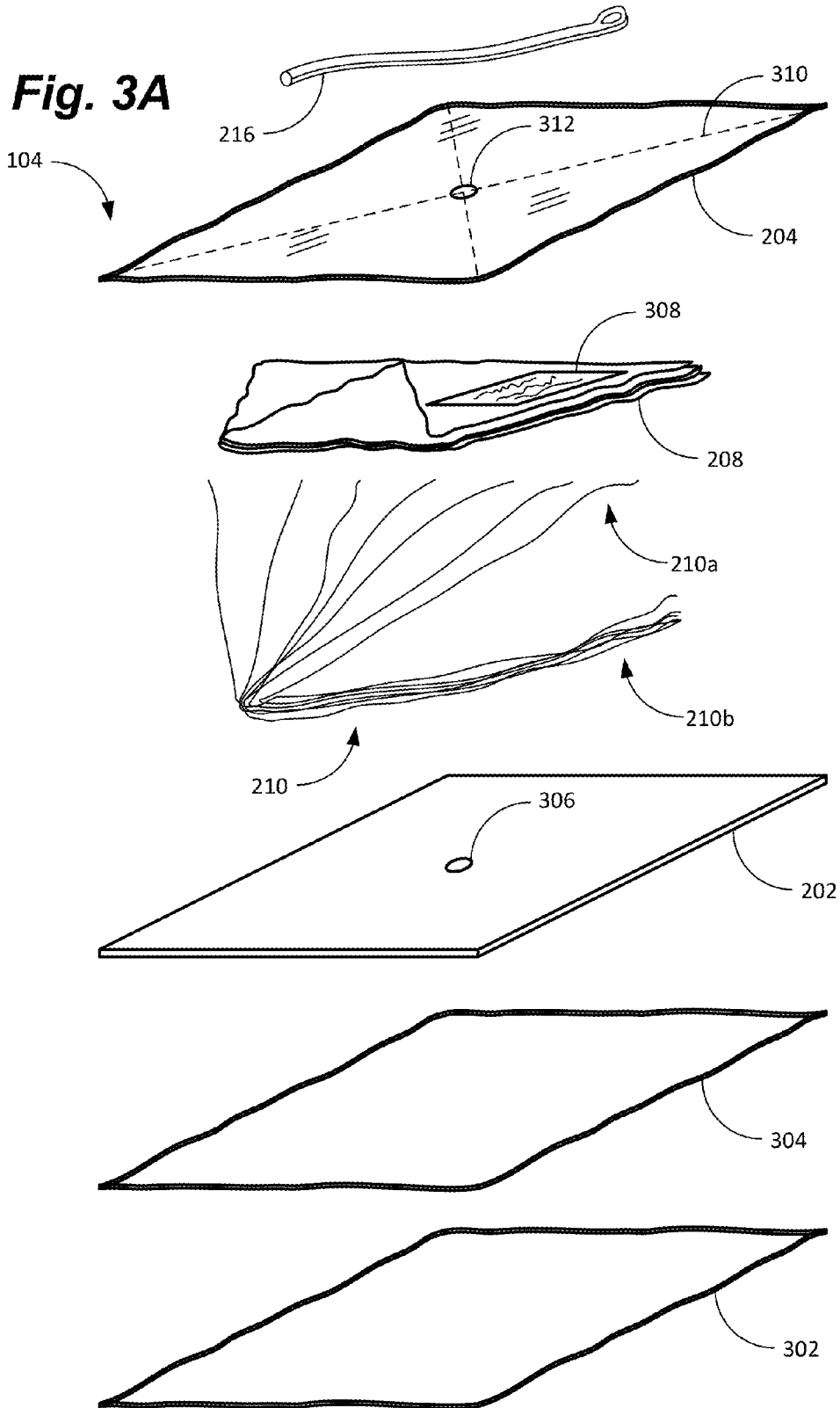


Fig. 3B

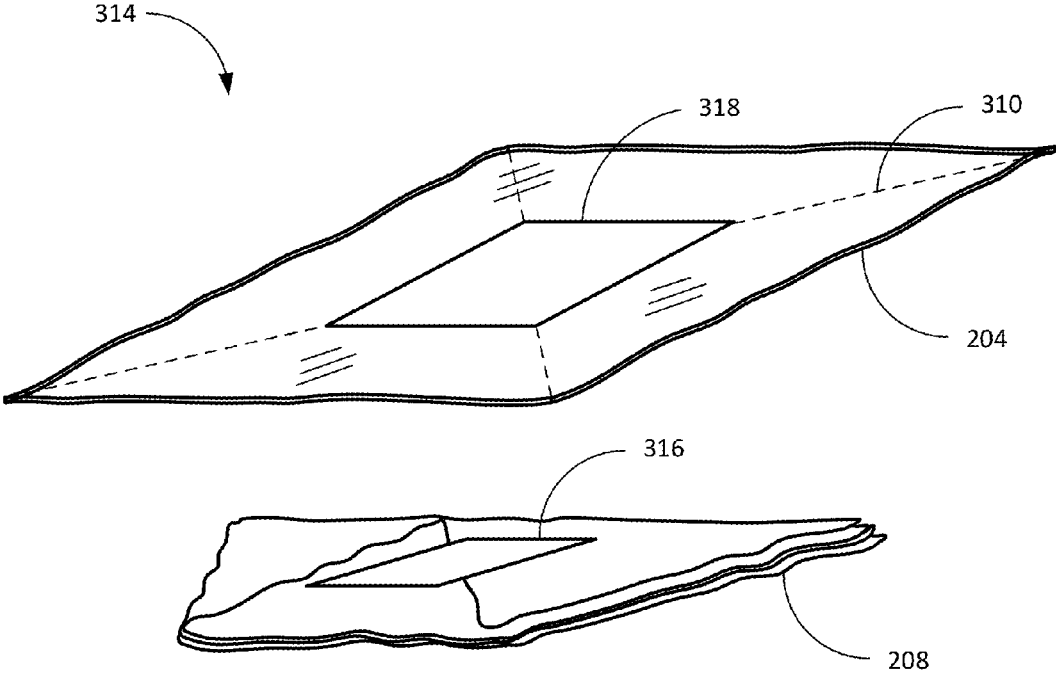


Fig. 4

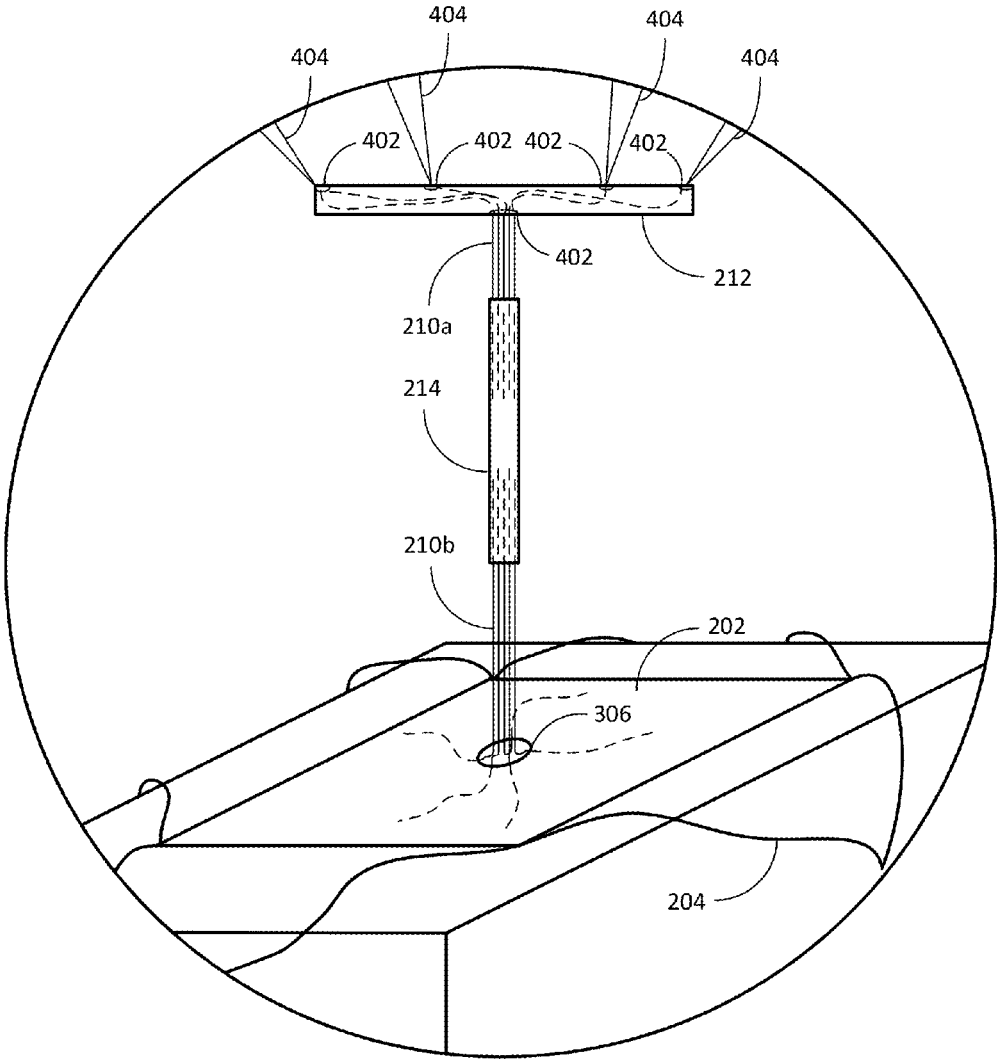


Fig. 5

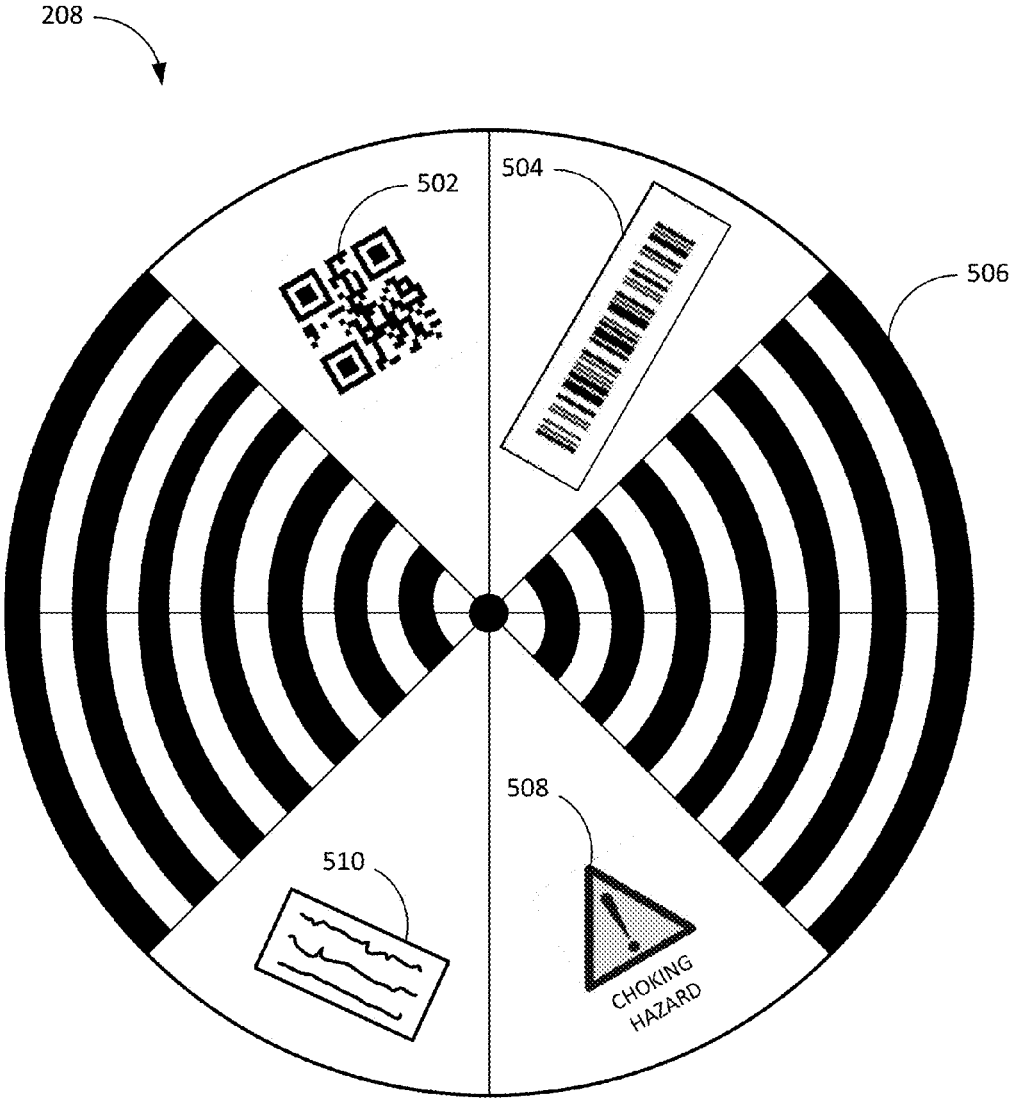


Fig. 6A

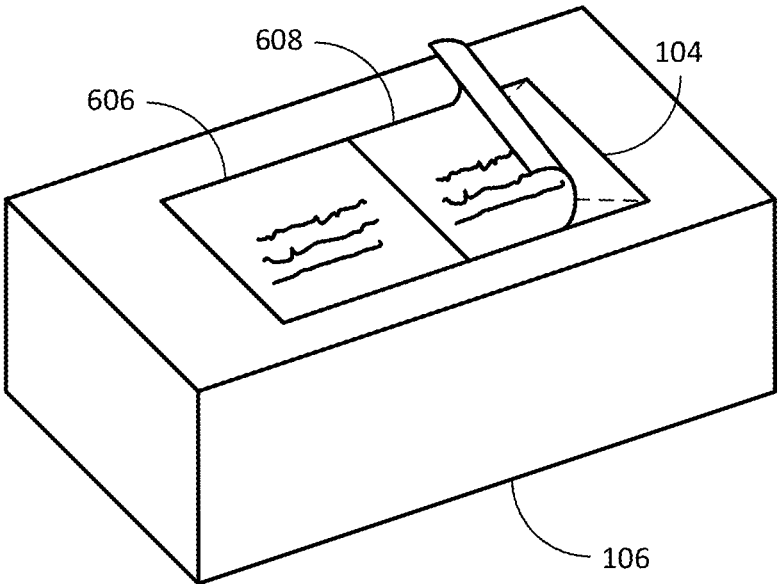
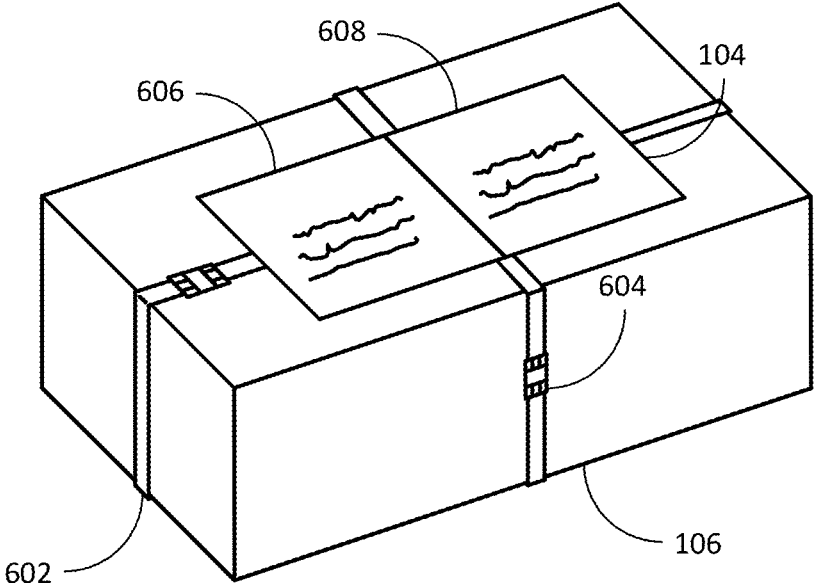


Fig. 6B



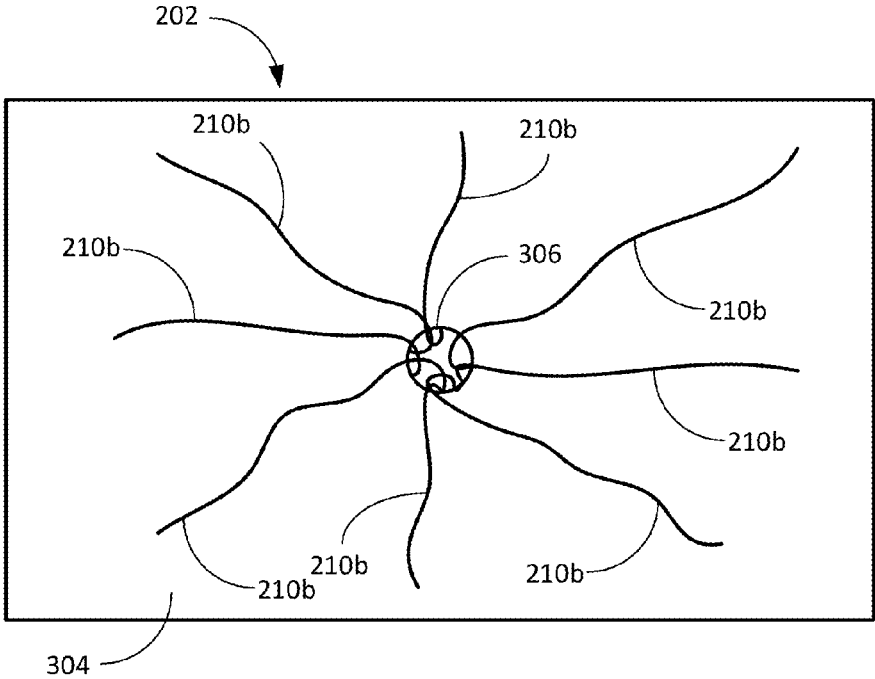


Fig. 7A

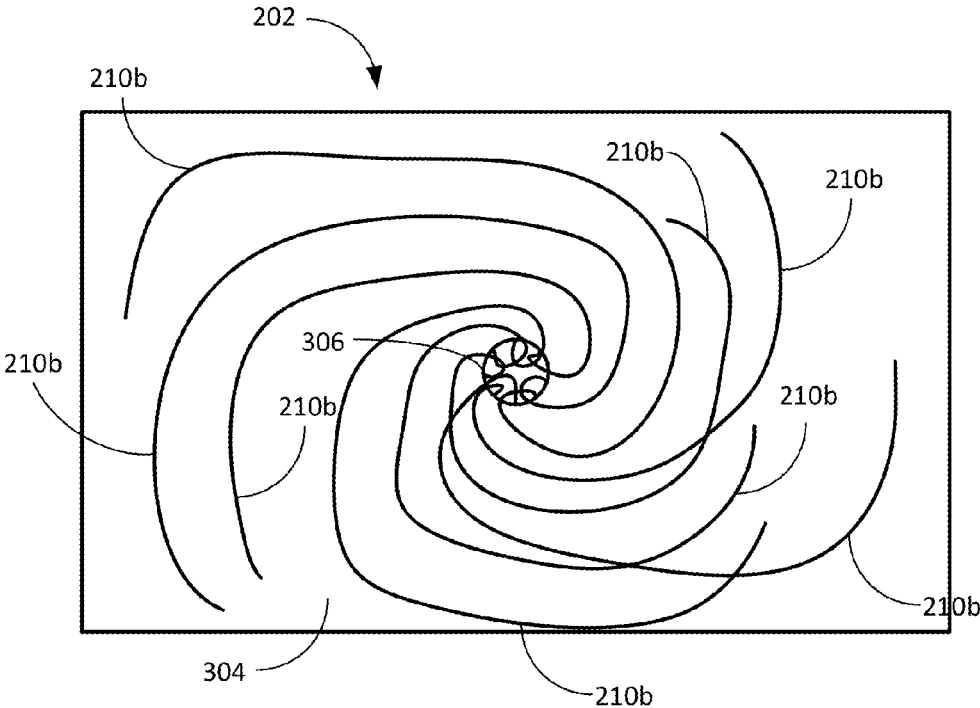
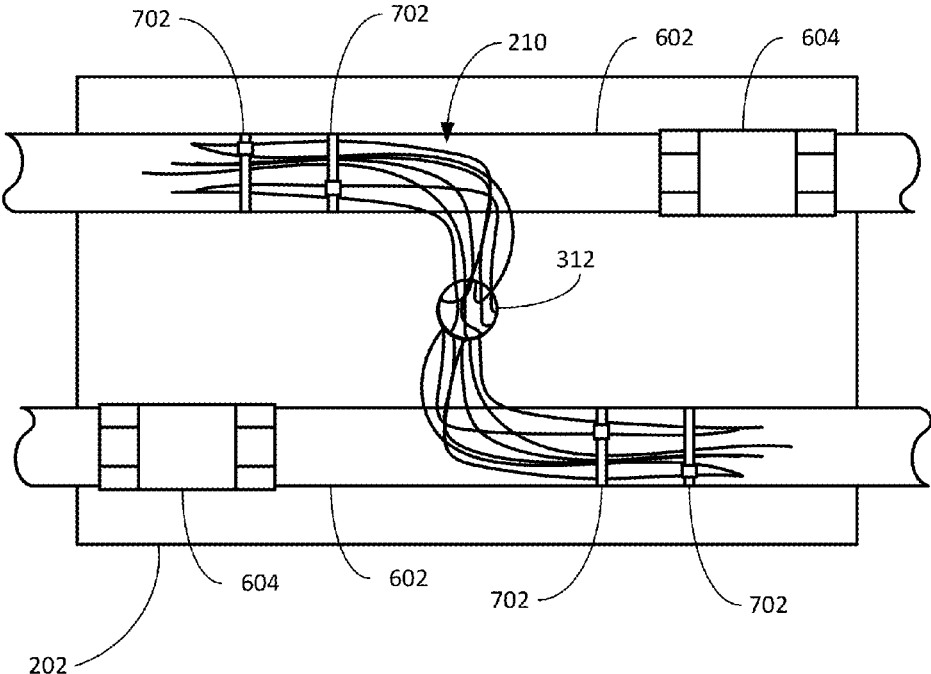


Fig. 7B

Fig. 7C



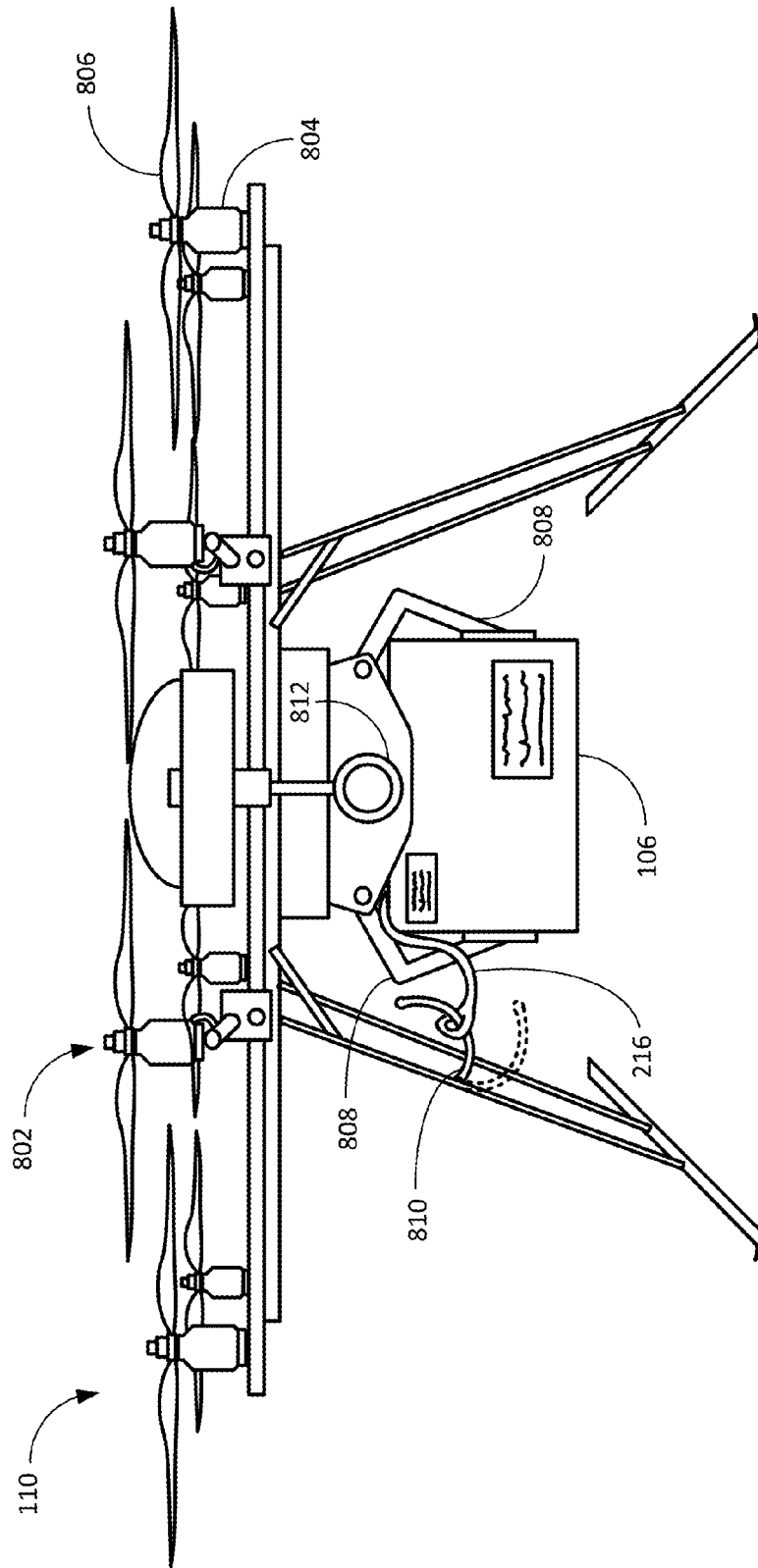


Fig. 8A

Fig. 8B

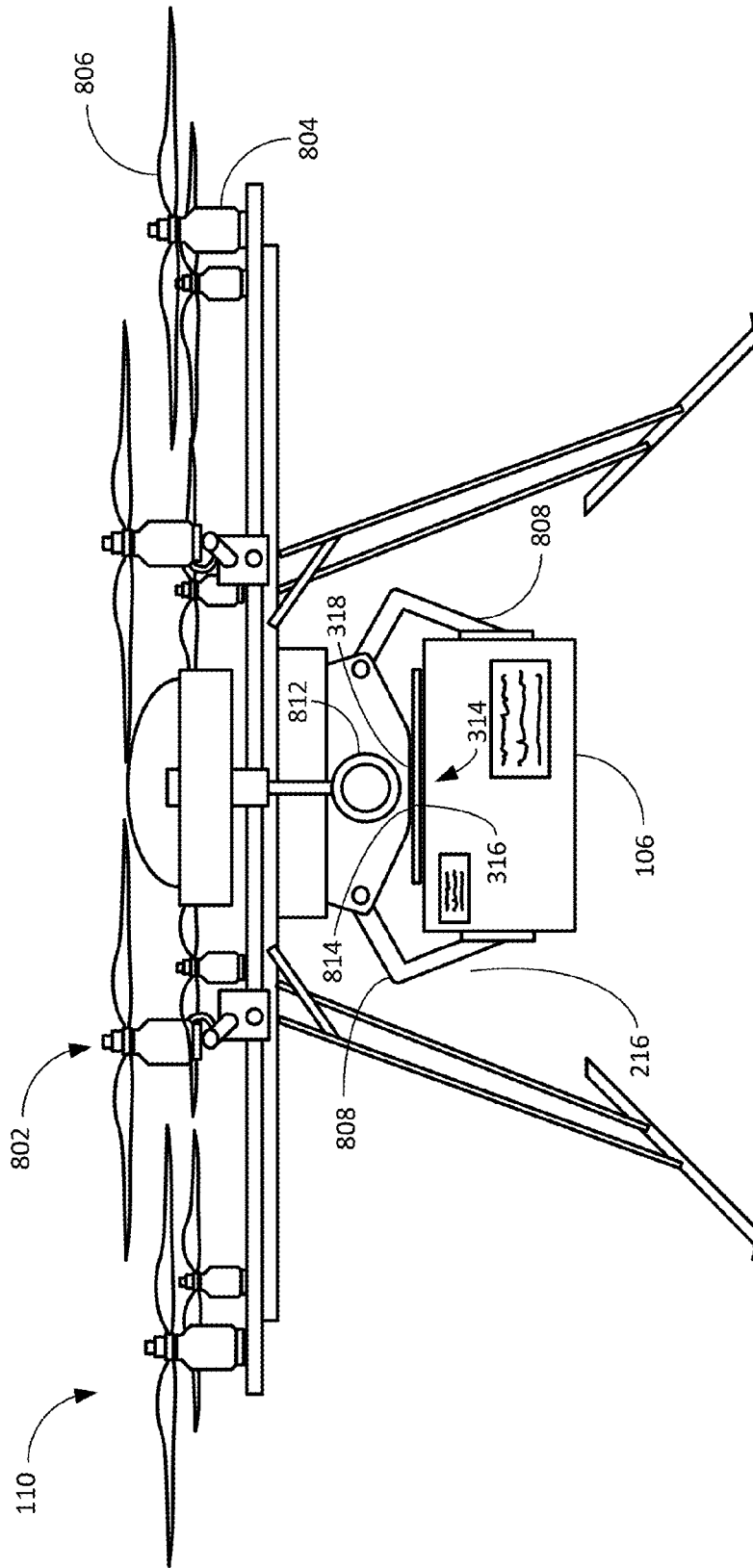


Fig. 9

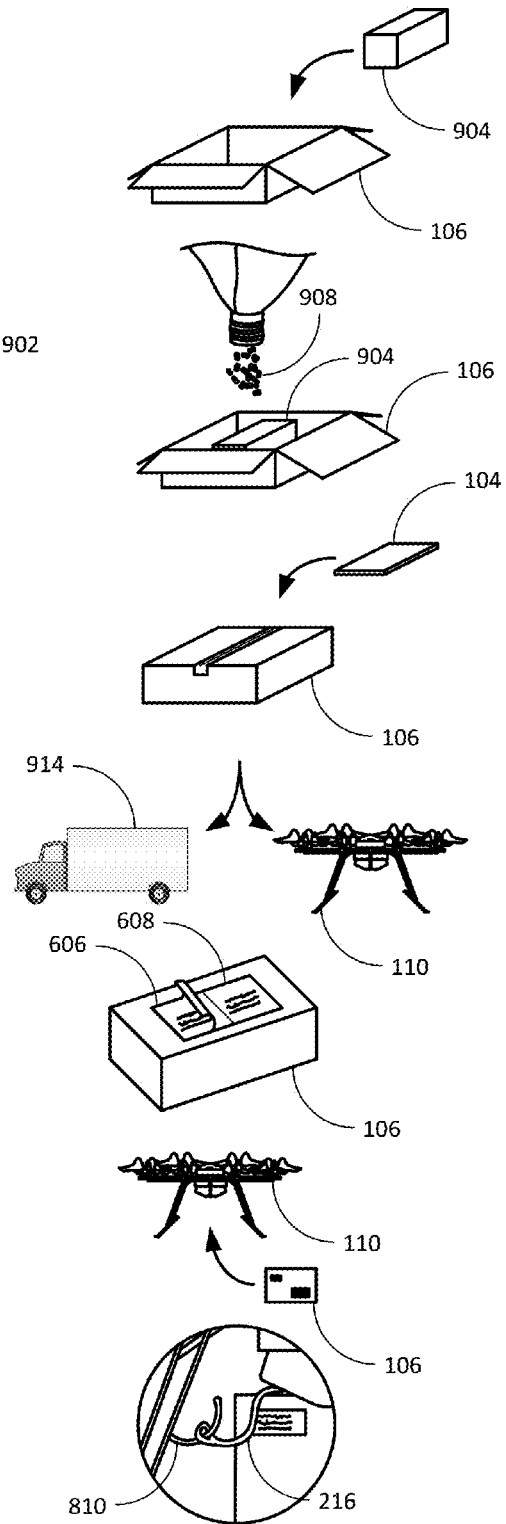
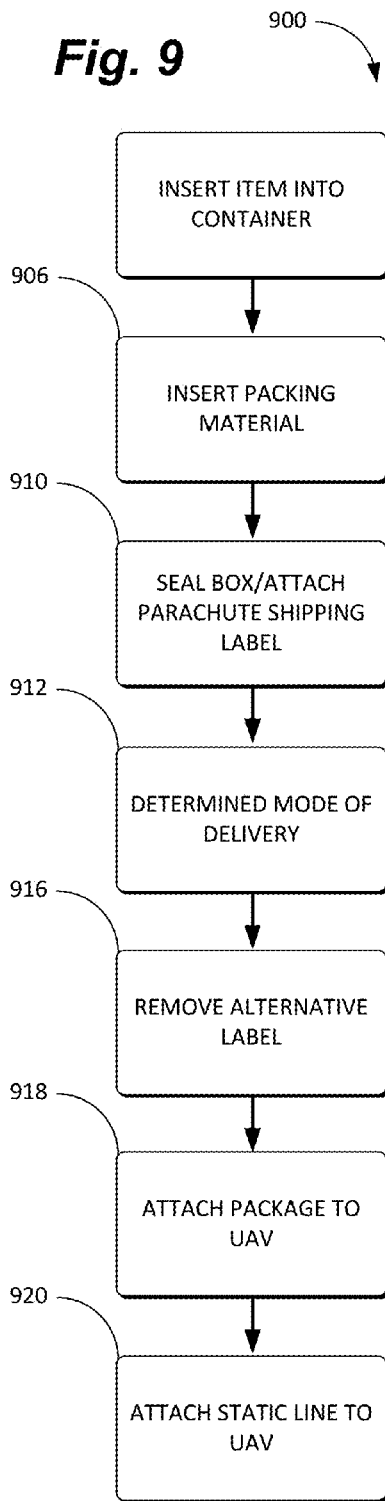


Fig. 10A

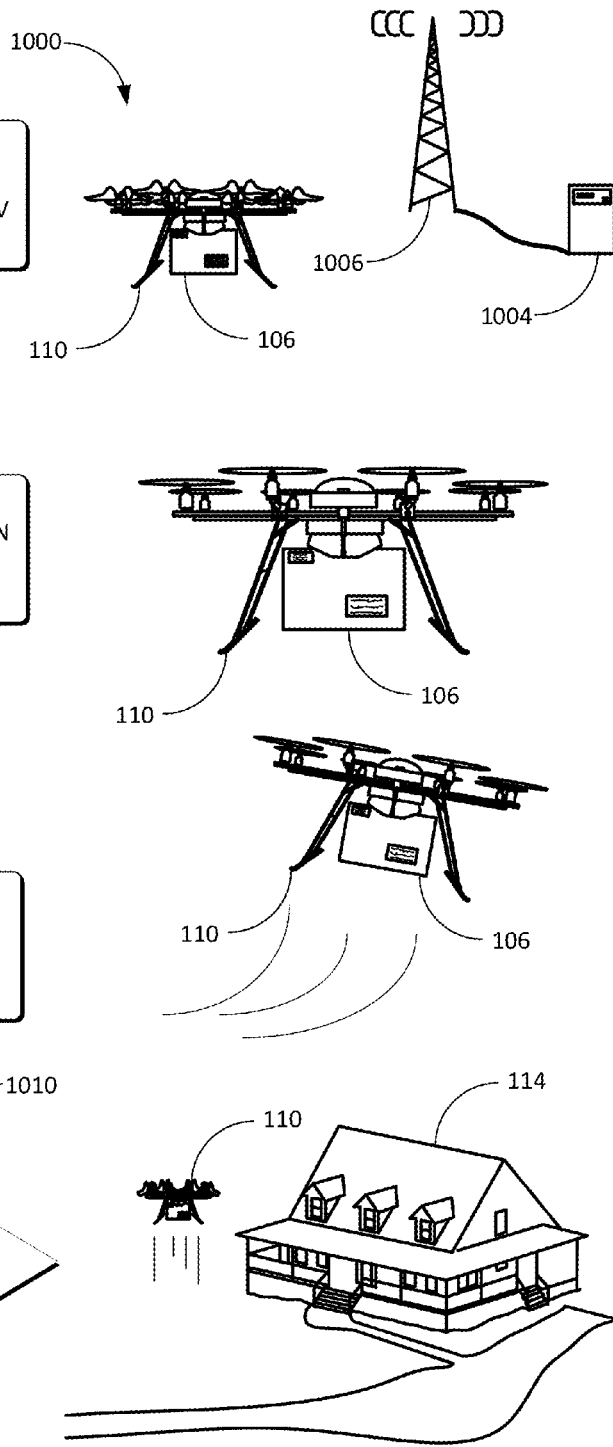
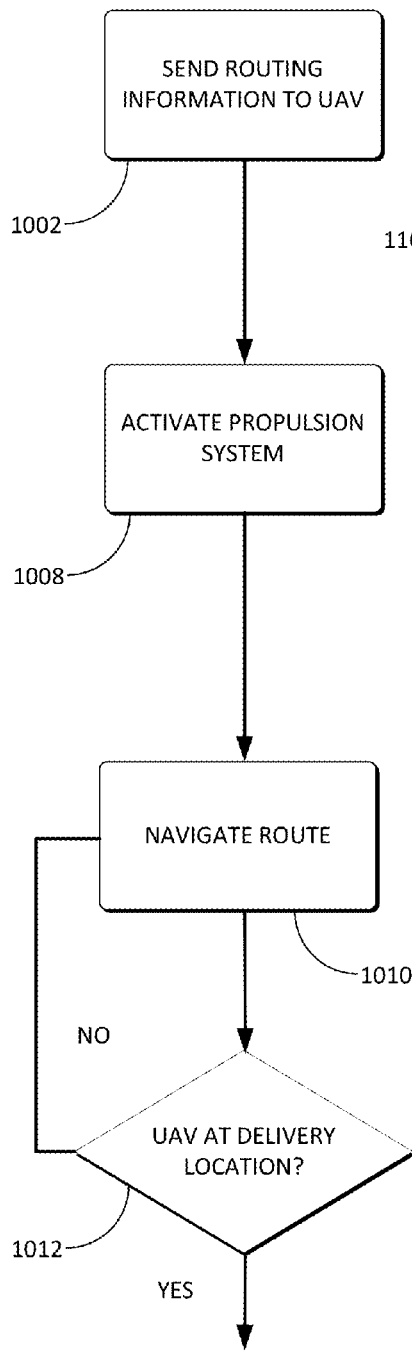
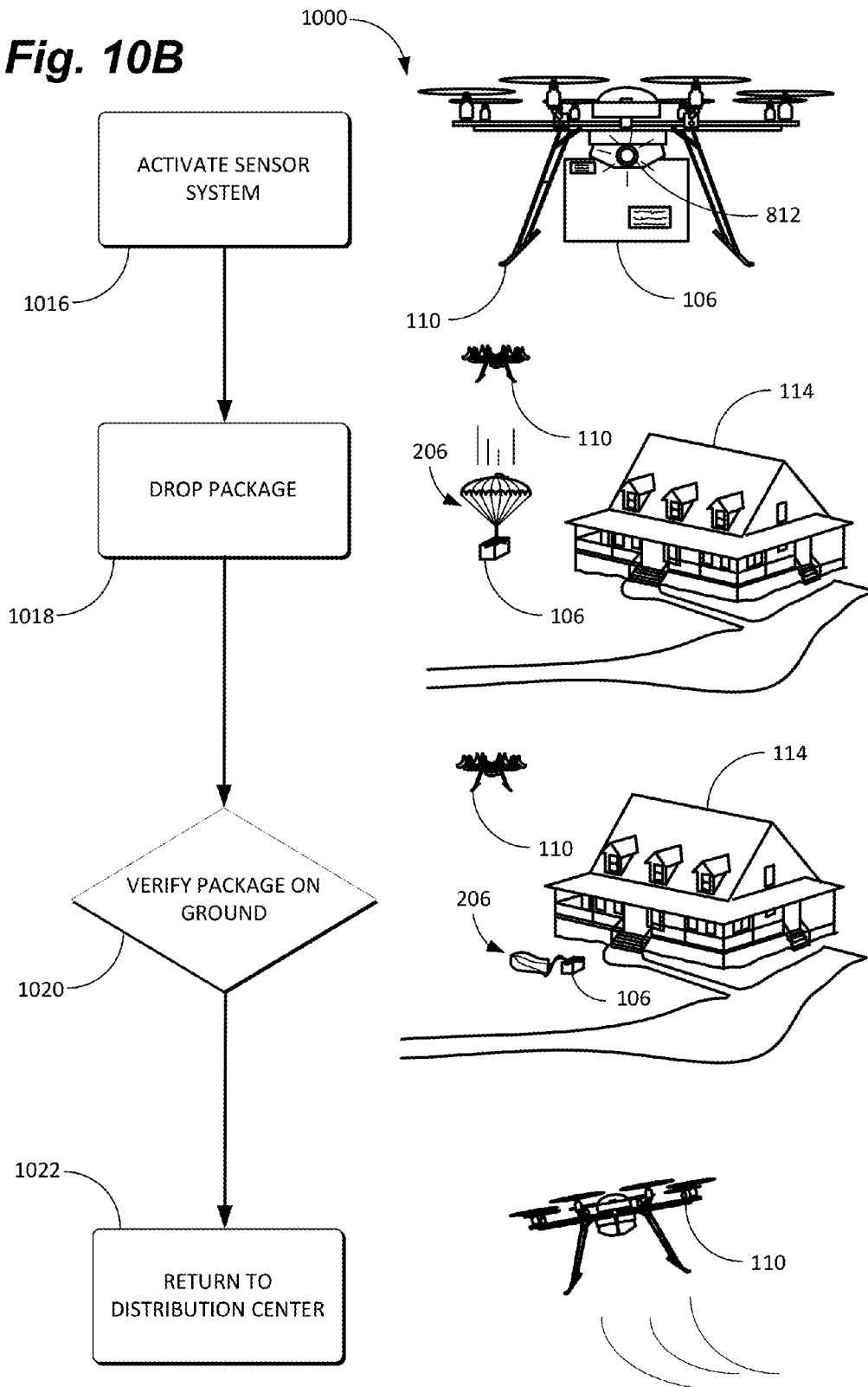


Fig. 10B

Fig. 10B



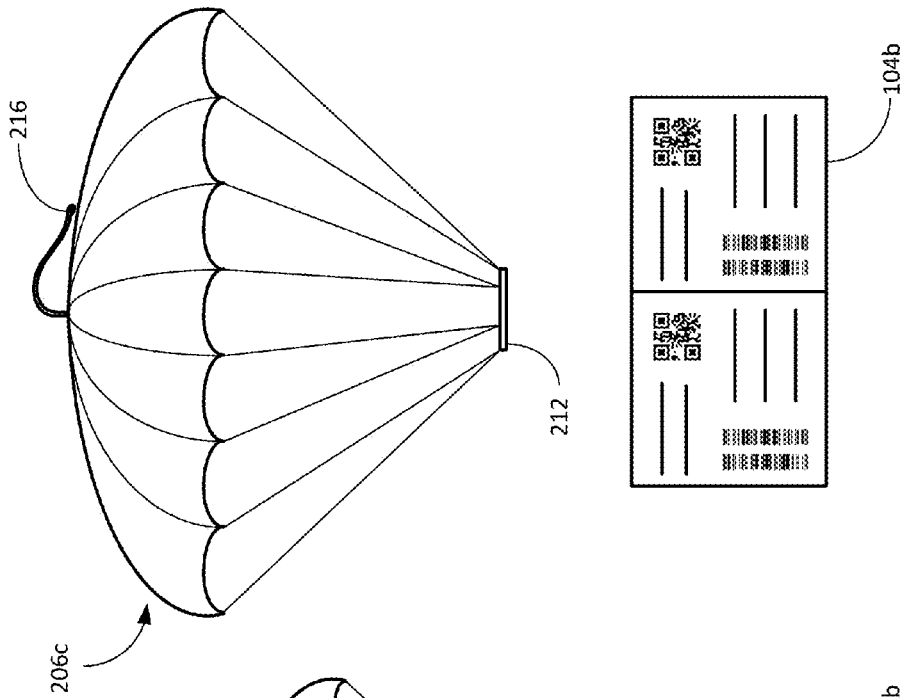


Fig. 11C

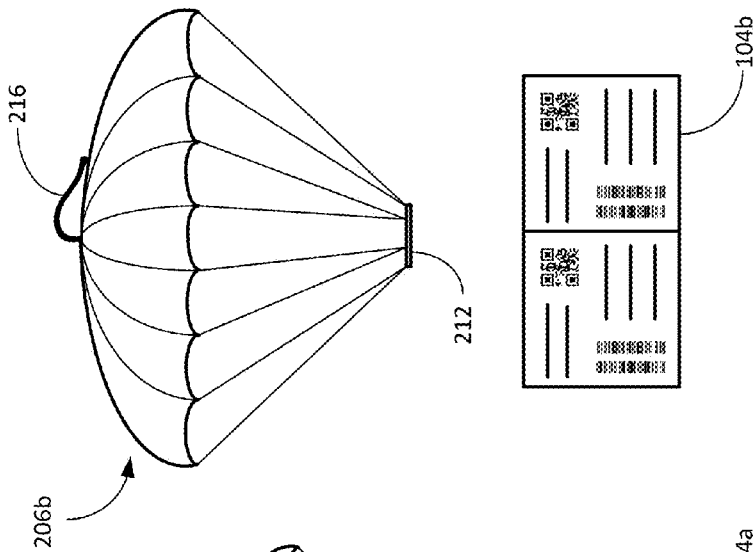


Fig. 11B

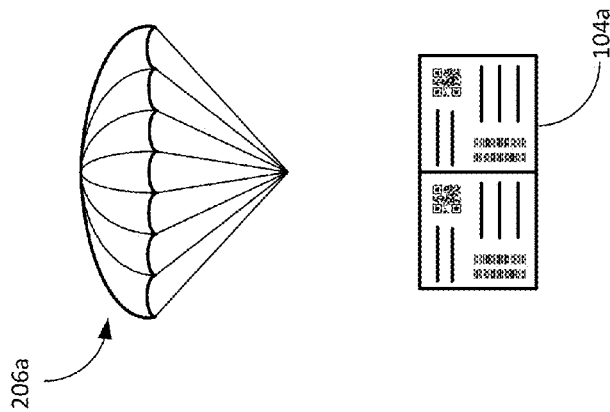


Fig. 11A

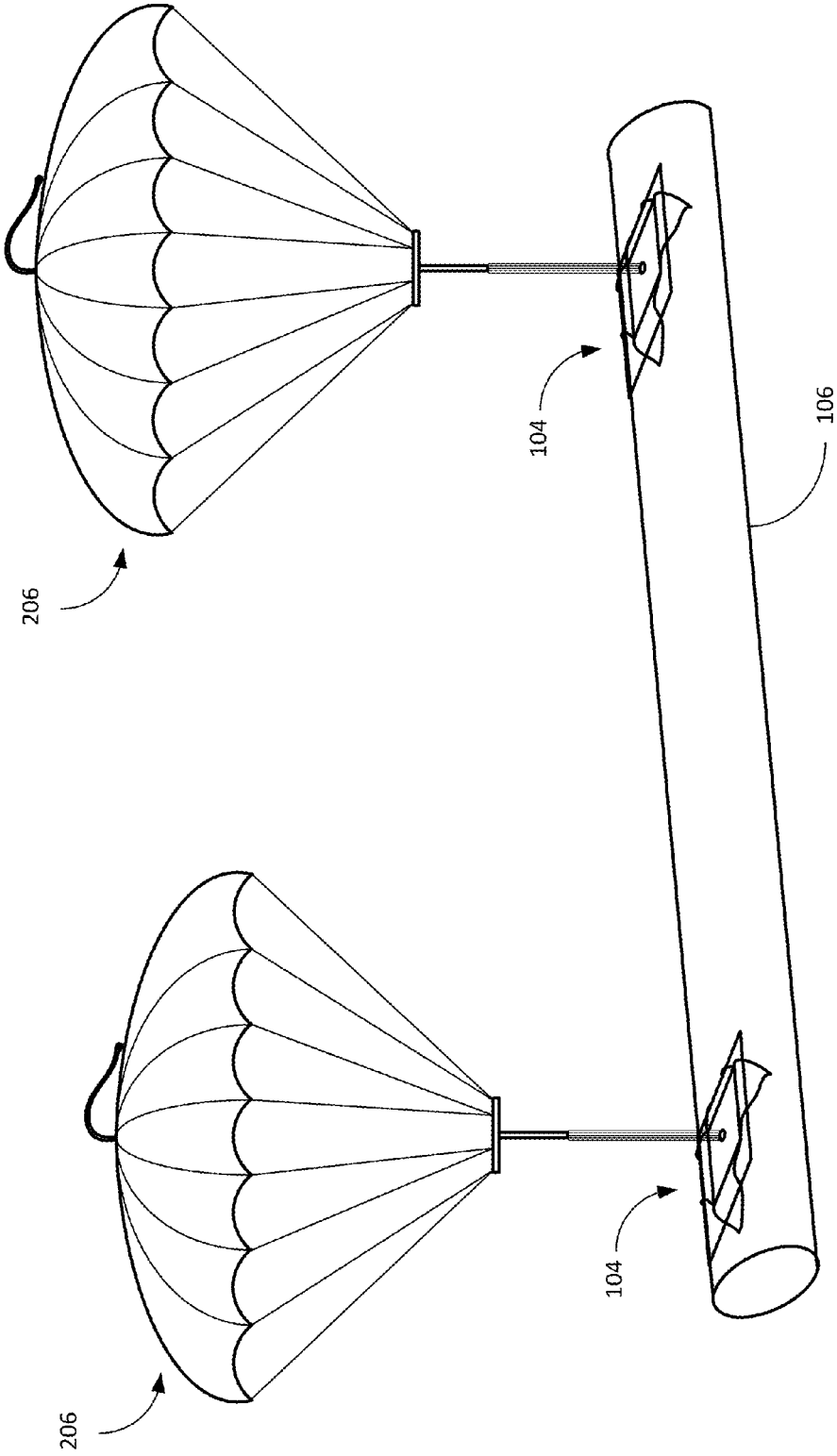


Fig. 12

AERIAL PACKAGE DELIVERY SYSTEM**BACKGROUND**

Unmanned aerial vehicles (UAVs) comprise a variety of vehicles, from conventional fixed wing airplanes, to helicopters, to ornithopters (i.e., machines that fly like birds), and are used in a variety of roles. They can be remotely piloted by a pilot on the ground or can be autonomous or semi-autonomous vehicles that fly missions using pre-programmed coordinates, global positioning system (GPS) navigation, etc. UAVs also include remote control helicopters and airplanes used by hobbyists.

UAVs can be equipped with cameras to provide imagery during flight, which may be used for navigational or other purposes (e.g., to identify a house address). UAVs can also be equipped with sensors to provide local weather and atmospheric conditions, radiation levels, and other conditions. UAVs can also include cargo bays, hooks, or other means for carrying payloads.

Newer generation UAVs can also provide significant payload capabilities. As a result, UAVs can also be used for delivering packages, groceries, mail, and other items. The use of UAVs for deliveries can reduce costs and increase speed and accuracy. However, landing a UAV at a delivery location may be problematic for multiple reasons, such as the presence of obstacles (e.g., trees, power lines, etc.) and the power requirements of descending and ascending from the delivery location, among other reasons.

BRIEF DESCRIPTION OF THE DRAWINGS

The detailed description is set forth with reference to the accompanying figures. In the figures, the left-most digit(s) of a reference number identifies the figure in which the reference number first appears. The use of the same reference numbers in different figures indicates similar or identical items or features.

FIG. 1 is a pictorial flow diagram of an illustrative process for delivering packages using an unmanned aerial vehicle (UAV) and a shipping label parachute system, in accordance with some examples of the present disclosure.

FIG. 2 is a front, perspective view of a shipping label parachute system in the deployed position attached to a package, in accordance with some examples of the present disclosure.

FIG. 3A is a front, perspective, exploded view of the shipping label parachute system of FIG. 2 in the stowed position, in accordance with some examples of the present disclosure.

FIG. 3B is a front, perspective, exploded view of the shipping label parachute system with an adhesive static line in the stowed position, in accordance with some examples of the present disclosure.

FIG. 4 is a front, perspective, detailed view of the shipping label parachute system of FIG. 2 in the deployed position and showing a harness and shock absorber in greater detail, in accordance with some examples of the present disclosure.

FIG. 5 is a top plan view of a parachute canopy for the shipping label parachute system of FIG. 2 in the deployed position and showing a plurality of additional identifying features, in accordance with some examples of the present disclosure.

FIG. 6A is a front, perspective views of a shipping label parachute system of FIG. 2 in the stowed position including two address labels attached to a shipping container using an

adhesive backing or adhesive sheet, in accordance with some examples of the present disclosure.

FIG. 6B is a front, perspective views of a shipping label parachute system of FIG. 2 in the stowed position including two address labels attached to a shipping container using a plurality of straps, in accordance with some examples of the present disclosure.

FIG. 7A is bottom plan view of the shipping label parachute system of FIG. 2 with a plurality of parachute cords attached to a backing sheet in a substantially radial pattern, in accordance with some examples of the present disclosure.

FIG. 7B is bottom plan view of the shipping label parachute system of FIG. 2 with the plurality of parachute cords attached to the backing sheet in a substantially spiral pattern, in accordance with some examples of the present disclosure.

FIG. 7C is bottom plan view of the shipping label parachute system of FIG. 2 with the plurality of parachute cords attached to the shipping container using one or more straps, in accordance with some examples of the present disclosure.

FIG. 8A is a front, perspective of an illustrative UAV for use with the shipping label parachute system of FIG. 2 to deliver packages, in accordance with some examples of the present disclosure.

FIG. 8B is a front, perspective of an illustrative UAV for use with the shipping label parachute system with an adhesive static line, in accordance with some examples of the present disclosure.

FIG. 9 is a pictorial flow diagram of an illustrative process for preparing packages for delivery by a UAV utilizing the shipping label parachute system, in accordance with some examples of the present disclosure.

FIGS. 10A and 10B are pictorial flow diagrams of an illustrative process for delivering packages by a UAV utilizing the shipping label parachute system, in accordance with some examples of the present disclosure.

FIGS. 11A-11C depict front, perspective views of small (FIG. 11A), medium (FIG. 11B), and large (FIG. 11C) parachute systems and front views of small (FIG. 11A) medium (FIG. 11B) and large (FIG. 11C) shipping label parachute systems, in accordance with some examples of the present disclosure.

FIG. 12 is a front, perspective view of a large package with multiple shipping label parachute systems, in accordance with some examples of the present disclosure.

DETAILED DESCRIPTION

Examples of the present disclosure relate generally to shipping labels, and specifically to a shipping label parachute system to enable the delivery of packages by unmanned aerial vehicles ("UAVs") or other aerial vehicles. The shipping label parachute system can function as a conventional shipping label and can attach to packages in a conventional manner, but can include parachute components to enable packages to be safely dropped from UAVs, or other aerial vehicles, for delivery. The shipping label parachute system can comprise multiple sizes for delivery of different weight and size packages.

As discussed above, improvements in battery and propulsion system components, among other things, have increased the payload capacity and range of many UAVs. As a result, local delivery of packages and other objects via UAV has become practical. As a result, it may be desirable to have a system and method to enable a package to be

dropped from a UAV, or other aerial vehicle, yet have its descent controlled by a parachute, or similar. The system preferably enables the workflow process of shipping and handling to remain substantially unchanged. The system is preferably compact, self-contained, and relatively inexpensive.

To this end, examples of the present disclosure can comprise a shipping label parachute system. The system can comprise a parachute folded to have substantially the same planform as a conventional shipping label. The parachute can be inserted into a packet or envelope comprising an adhesive backing, or similar, to enable the system to be easily attached to a package for delivery. In some examples, the adhesive backing can provide sufficient adhesion between the system and the package to remain attached to the package upon deployment of the parachute and the subsequent descent. The parachute system can include a number of additional features including, but not limited to, a shock absorber, additional identifying features, and a clear, breakaway cover. The packages can be delivered by a UAV, which can include cameras and other sensors to monitor the route if the UAV and the descent of the package, among other things.

As shown in FIG. 1, examples of the present disclosure can comprise a method 100 for delivering packages via a UAV. At 102, a shipping label parachute system 104 can be affixed to a shipping container 106 in the conventional manner. As used herein, the term "shipping container" includes any container used to secure a package, including a conventional cardboard or paper box, but also a soft-sided container, a bag, an envelope, a shipping pouch, cooler, or any other type of rigid or non-rigid container. In some example, the shipping label parachute system 104 can include an adhesive backing to couple or affix the shipping label parachute system 104 to the shipping container 106. In other examples, the shipping label parachute system 104 can be affixed to the shipping container 106 using crimp-on straps, weld-on straps, cables ties, or other means. As discussed below, the shipping label parachute system 104 can include, for example, an adhesive back, a parachute, a breakaway cover, and a static line.

At 108, the shipping container 106, with the shipping label parachute system 104 attached, can be attached to a UAV 110. In some examples, the UAV 110 can include retractable arms, claws, suction cups, pins, hooks, adhesive, or other means to retain the shipping container 106. In some examples, the shipping label parachute system 104 can include straps, or other means, to attach the shipping container 106 to the UAV 110. In some examples, the shipping label parachute system 104 can include a static line attached to the parachute and the UAV 110 to facilitate the opening of the parachute.

At 112, upon arrival at the delivery location 114, the UAV 110 can drop the shipping container 106, thereby deploying the parachute 116. The parachute 116, sometimes in conjunction with the packing material used in the shipping container 106, can enable the contents of the shipping container 106 to be delivered undamaged. In this manner, the UAV 110 can also remain at a safe distance and height from the delivery location 114, reducing the chances of a collision between objects and other items at the delivery location 114.

FIG. 2 depicts the shipping label parachute system 104 in the deployed (i.e., parachute open) position. As shown, the shipping label parachute system 104 can comprise a backing sheet 202 and a breakaway cover 204. In some examples, the backing sheet 202 can comprise, for example, paper or

plastic. In some examples, the backing sheet 202 can also include an adhesive backing to enable the shipping label parachute system 104 to be attached to the shipping container 106. In other examples, the backing sheet 202 can be attached to the shipping container 106 using box staples, straps, or other suitable means. In still other means, the backing sheet 202 can include hooks, claws, or other mechanical means to attach the shipping label parachute system 104 to the shipping container 106.

The shipping label parachute system 104 can also include a parachute system 206. The parachute system 206 can comprise a parachute canopy 208. The parachute canopy 208 can comprise a suitably light, strong material such as, for example, paper, plastic, canvas, silk, nylon, Kevlar®, polyester, or combinations thereof. In some examples, different sized parachute canopies 208 can be used for different sized shipping containers 106. The parachute canopies 208 can be sized and shaped to slow a shipping container's 106 descent appropriately to prevent damage to the contents of the shipping container 106. The parachute canopy 208 can be sized according to the weight, size, and/or shape of the shipping container 106 and contents.

In some examples, the parachute canopy 208 may be the same size for shipping containers 106 of the same weight. In other examples, the parachute canopy 208 may be sized differently for shipping containers 106 of the same weight based on the contents. In other words, a shipping container 106 carrying a drinking glass may have a larger parachute canopy 208 than a shipping container 106 carrying a screwdriver simply because the glass is more fragile than the screwdriver and thus, has a lower predetermined landing speed.

Although shown as a conventional, round parachute canopy 208, other canopy shapes could be used. Square or ram air parachute canopies 208 can be used, for example, to enable the package to travel a predetermined distance, for example, when dropped. In other words, rather than traveling substantially vertically downward when deployed, as with the round canopy 208, a square canopy 208 may be used, for example, to provide a predetermined "stand-off" distance for the UAV 110. In this manner, the package could be dropped from a predetermined height and distance from the delivery location 114 and glide forward and downward to the delivery location 114 based on the standard glideslope of the canopy 208.

While described above as a parachute canopy 208, other arresting devices can be used. The parachute canopy 208 can comprise a streamer, for example, such as those used in model rocketry. The parachute canopy 208 can also comprise an auto-rotating propeller, or similar device. A number of additional devices designed to slow the package to the predetermined landing speed could be used and are contemplated herein.

The parachute canopy 208 can be connected, directly or indirectly, to the shipping label parachute system 104 via a plurality of parachute cords 210. The parachute cords 210 can comprise a sufficiently strong material to withstand the opening of the parachute canopy 208 and to support the weight of the shipping container 106. The parachute cords 210 can comprise, for example, nylon, cotton, polyester, Kevlar®, or combinations thereof. In some examples, as discussed below, the parachute cords 210 can connect directly to the shipping label parachute system 104.

In other examples, the parachute cords 210 can connect to the shipping label parachute system 104 via a harness 212 and/or a shock absorber 214. In some examples, the harness 212 can comprise a spreader bar 212a and one or more

5

attachment points **212b** for the parachute cords **210**. The harness **212** can comprise, for example, plastic, cardboard, aluminum, composite, or combinations thereof. The harness **212** can help separate the parachute cords **210** to prevent tangling of the cords **210** during packing and deployment.

The harness **212** can also prevent twisting between the parachute canopy **208** and the shipping container **106** upon deployment, for example, and during the descent of the shipping container **106**. The harness **212** can also reduce deployment time of the parachute canopy **208** by spreading the parachute cords apart and can help prevent failed deployment or partially failed deployment (e.g., “streamers”). While shown as a spreader bar **212a**, the harness **212** can comprise many shapes including, but not limited to, circular, ovoid, and rectangular that enable the parachute cords **210** to connect at multiple locations. In some examples, the harness **212** can also comprise multiple pieces.

In other examples, the parachute cords **210** can connect directly to the shipping label parachute system **104** without a harness **212**. In this manner, the parachute cords **210** can be attached directly to the backing sheet **202**, for example, or sandwiched between the backing sheet **202** and the shipping container **106**. The harness **212** may be unnecessary for smaller canopies **208**, for example, or for packages using multiple shipping label parachute systems **104**. Removal of the harness **212** can enable the parachute cords **210** to be connected directly to the shipping label parachute system **104** and may reduce the stowed size and weight of the system **104** as well as the cost of the system **104**.

In some examples, a shock absorber **214** can be disposed between the parachute canopy **208** and the shipping label parachute system **104**. The shock absorber **214** can absorb the shock of opening the parachute canopy **208** and can help prevent separation of the parachute canopy **208** from the shipping container **106**, damage to contents, and breakage of parachute cords **210**, among other things. This can be achieved by preventing the backing sheet **202** from pulling free from the shipping container **106**, for example.

The shock absorber **214** can take many forms designed to absorb shock and reduce peak loads by increasing the time interval of a shock event such as the canopy **208** opening. The shock absorber **214** can comprise, for example, one or more strips, strings, or tubes of material in line with the parachute cords **210**. The shock absorber **214** can comprise a number of strong, resilient materials including, but not limited to, plastic, rubber, elastic, nylon, or combinations thereof. The shock absorber **214** can also comprise metal or plastic springs and other biasing devices configured to absorb energy. The shock absorber **214** can also comprise tear-away energy absorbing devices that absorb energy through the tearing of material, stitches, or adhesive similar to “screamers” used in mountain climbing, for example. The shock absorber **214** can also comprise one or more concentric tubes with a hydraulic or pneumatic valving system similar to vehicle shock absorbers.

In some examples, a first portion **210a** of the parachute cords **210** can be attached to the parachute canopy **208** on one end and then to a first end **214a** of the shock absorber **214** on the other. In this configuration, a second end **214b** of the shock absorber **214** can be attached directly to the backing sheet **202** and/or the shipping container **106**. In other examples, as discussed in greater detail below with reference to FIG. 2C, the shock absorber **214** can be disposed in a middle section of the parachute cords **210**, with the first portion **210a** of the parachute cords **210** attached at one end to the first end **214a** of the shock absorber **214** and a second portion **210b** of the parachute cords **210** attached

6

at one end to the second end **214b** of the shock absorber **214** and attached at the other end to the backing sheet **202** and/or shipping container **106**.

In some examples, the parachute system **206** can further comprise a static line **216**. As with larger parachutes, the static line **216** can be attached to the delivery vehicle (e.g., a UAV **110**) to enable the parachute canopy **208** to open more quickly upon deployment. This can help to prevent deployment failure and streamers, among other things.

In some examples, the static line **216** can be detachably coupled to the parachute canopy **208** such that, upon deployment, the static line **216** pulls the parachute canopy **208** open, but then detaches from the parachute canopy **208** and remains attached to the UAV **110**. In this configuration, the static line **216** may be sewn or taped to the parachute canopy **208** with a thread or tape, for example, which provides sufficient strength to pull the parachute canopy open **208**, but then breaks under the weight of the shipping container **106**.

In other examples, the reverse may be true, with the static line **216** coupled to the parachute canopy **208** and detachably coupled to the UAV **110** such that, upon deployment, the static line **216** pulls the parachute canopy **208** open, yet remains attached to the parachute canopy **208** and detaches from the UAV **110**. In this configuration, the static line **216** may have a loop sewn into one end, which provides sufficient strength to pull the parachute canopy open **208**, but then breaks under the weight of the shipping container **106**. Similarly, the static line **216** can be attached to a spring-loaded hook, pincer, or loop on the UAV **110** that provides sufficient resistance to open the parachute canopy **208**, but then moves or opens to release the static line **216** under the weight of the shipping container **106**. In some examples, the static line **216** may be biodegradable, photodegradable, water soluble, or otherwise safely disposable to enable the UAV **110** to drop the static line **216** at some point during its return to the distribution center, for example.

As shown in FIG. 3A, the shipping label parachute system **104** can comprise a number of components that can be flat packed into an envelope-like package. In this manner, the shipping label parachute system **104** can be attached to the shipping container **106** in the conventional manner, much like a standard shipping label. In some examples, the shipping label parachute system **104** can be attached to the shipping container **106** using the same workers and/or machines as “normal” shipping labels, such that the shipping and handling process is essentially unchanged (until delivery begins, as discussed below). In this manner, as discussed below, the shipping label parachute system **104** can include the necessary shipping and handling information such that all shipping containers **106** can include the parachute system **206** regardless of whether they are being delivered by UAV **110**. In this manner, the delivery method can be chosen at the time of delivery, rather than during the packing process. This may be useful to account for variable weather conditions, demand, cost, darkness, or other variables in the shipping process.

In some examples, the shipping label parachute system **104** can include the aforementioned backing sheet **202**. The backing sheet **202** can act as the base for the shipping label onto which the other components are assembled. In some examples, the backing sheet **202** can also include a protective sheet **302** applied to the first side of the backing sheet **202**. The protective sheet **302** can comprise, for example, waxed paper, paper, or plastic. The protective sheet **302** can be used when, for example, the backing sheet **202** includes an adhesive on the first side. In this manner, the protective sheet **302** can be removed from the first side of the shipping

label parachute system **104** and the shipping label parachute system **104** can be quickly and easily applied to the shipping container **106**.

In some examples, the backing sheet **202** can include a separate adhesive sheet **304**. In this configuration, the second side of the adhesive sheet **304** can be adhered to the first side of the backing sheet and the protective sheet **302** can be applied to the adhesive sheet **304**. Similar to the configuration above, in this configuration, the protective sheet **302** can be removed from the adhesive sheet **304** and the shipping label parachute system **104** can be quickly and easily applied to the shipping container **106**.

The shipping label parachute system **104** can also include a plurality of parachute cords **210**. The first portion **210a** of the parachute cords **210** can be attached to the parachute canopy **208**, while the second portion **210b** can be attached to the backing sheet **202** or the shipping container **106**. In some examples, as discussed above, the parachute cords **210** can also include a shock absorber **214**.

In some examples, the second portion **210b** of the parachute cords **210** can be disposed through a first aperture **306** in the backing sheet **202**. In this manner, the second portion **210b** of the parachute cords **210** can be sandwiched between the backing sheet **202** and the shipping container **106** when the shipping label parachute system **104** is attached to the shipping container **106**. In other examples, the second portion **210b** of the parachute cords **210** can be sandwiched between the backing sheet **202** and the adhesive sheet **304**. In other examples, the second portion **210b** of the parachute cords **210** can be sandwiched between the adhesive sheet **304** and the shipping container **106**. Regardless of configuration, the parachute cords **210** can be prevented from pulling out of the shipping label parachute system **104** by both friction (i.e., between shipping label parachute system **104** and the shipping container **106**) and adhesive.

The parachute canopy **208** can be folded such that it fits in the same, or smaller, area as required for the backing sheet **202**. In some examples, the parachute canopy **208** can be folded radially and/or laterally to fit in the required planform. In some examples, the parachute canopy **208** can include a data label **308**. The data label **308** can include, for example, address information, quick response (QR) codes, bar codes, or other information. In this configuration, the parachute canopy **208** can be folded such that the data label **308** is visible when the shipping label parachute system **104** is attached to the shipping container **106**.

The shipping label parachute system **104** can further comprise a breakaway cover **204**. The breakaway cover **204** can comprise, for example, paper or plastic and can be designed to “break away,” or tear open, upon deployment of the parachute system **206**. In some examples, the breakaway cover **204** can comprise, for example, clear plastic or cellophane to enable the data label **308**, or other components, to be visible when the shipping label parachute system **104** is in the stowed position. In some examples, the breakaway cover **204** can include one or more perforations **310** to enable the breakaway cover **204** to tear in a controlled manner upon deployment of the parachute system **206**. The perforations **310** can include actual perforations in the breakaway cover **204**, score lines, or molded thinner areas, for example, to enable the breakaway cover **204** to tear in a controlled manner.

The shipping label parachute system **104** can also comprise the static line **216** to aid the deployment of the parachute canopy **208**. As discussed above, the static line **216** can be attached to the parachute canopy **208** such that it detaches from the parachute canopy **208** and remains with

the UAV **110**, or vice-versa. In some examples, the static line **216** can be disposed through a second aperture **312** the breakaway cover **204**. In this manner, the static line **216** can be attached to the UAV, along with the shipping container **106**, for delivery, with the shipping label parachute system **104** still in the stowed position.

FIG. 4 is a detailed view of the harness **212** and shock absorber **214** components of the parachute system **206**. As mentioned above, in some examples, the first portion **210a** of the parachute cords **210** can be attached to, or run through, a harness **212**, or spreader. The harness **212** can help prevent the tangling of the parachute cords **210** during packing and deployment. The harness **212** can also prevent tangling of the parachute cords **210** during descent by substantially preventing the shipping container **106** from spinning with respect to the parachute canopy **208**. As shown, in some examples, the harness **212** can include one or more harness apertures **402** to enable the parachute cords **210** to be routed through the harness and down toward the backing sheet **202**.

In other examples, the parachute cords **210** can be attached to the spreader bar **212a** of the harness **212**, rather than running through it. In this manner, a portion of the parachute cords **210c** can be attached to the top of the spreader bar **212a**, while another portion **210b** can be attached to the bottom of the spreader bar **212a** and the shock absorber **214**, discussed below. The parachute cords **210** can be mechanically affixed (e.g., tied, fastened, or adhered) to the spreader bar **212a**. In some examples, the spreader bar **212a** can include a plurality of eyelets, or other means, for this purpose.

In some examples, the parachute system **206** can also include a shock absorber **214**. The shock absorber **214** can be disposed between the parachute canopy **208** and the shipping container **106** to absorb the shock of the initial opening of the parachute canopy **208** and bouncing, or other disturbances, during descent. In some examples, one end of the first portion **210a** of the parachute cords **210** can be attached to the parachute canopy **208** and the other end can be attached to a first end **214a** of the shock absorber **214**. In this configuration, a second end **214b** of the shock absorber **214** can be attached to the backing sheet **202** and/or the shipping container **106** (not shown).

As shown in FIG. 3B, in some examples, rather than using a static line **216**, the shipping label parachute system **104** can use an adhesive static line system **314**. In this configuration, the parachute canopy **208** can comprise an adhesive patch **316**. The adhesive patch **316** can comprise, for example, an adhesive sheet, similar to the adhesive sheet **304** used on the backing sheet **202**. In other examples, the adhesive patch **316** can comprise a hook and loop material, for example, or other material capable of creating an adhesive force sufficient to pull the parachute canopy **208** open when the shipping container **106** is dropped.

In some examples, the breakaway cover **204** can comprise a window **318** to enable contact between the adhesive patch **316** and the UAV **110**. In this manner, when the UAV **110** drops the package, the adhesive patch **316** can act like a static line **316**. In other words, the adhesion between the adhesive patch **316** and the UAV **110** can be sufficient to open the parachute canopy **208**, while still allowing the package to drop free of the UAV **110** afterwards. The adhesive static line system **314** can open the parachute canopy **208**, while obviating the need for a static line **216** and the need to attach the static line **216** to the UAV **110** during packaging and/or recover the static line **216** after use. This can decrease handling time when shipping a package

and can address any possible issues introduced by the recovery and/or entanglement of static lines **216**.

In other examples, as shown in FIG. 4, the shock absorber **214** can be disposed in a middle portion of the parachute cords **210**. In other words, the parachute cords **210** can be cut in the middle and the shock absorber **214** can be inserted between the first portion **210a** and the second portion **210b** of the parachute cords. Thus, the one end of the first portion **210a** of the parachute cords **210** can be attached to the parachute canopy **208** and the other end attached to one end of the shock absorber **214**. The second portion **210b**, in turn, can be attached on one end to the other end of the shock absorber **214** and on the other end to the backing sheet **202** and/or the shipping container **106**.

In this manner, the shock absorber **214** can be added during manufacture, as necessary, without disturbing the basic architecture of the parachute system **206**. In other words, for some shipping label parachute systems **104**, the parachute cords **210** can be attached directly to the backing sheet **202** and/or the shipping container **106**, for example; while, in other cases, the parachute cords **210** can be cut in the middle and the shock absorber **214** can be inserted. The shock absorber **214** can be welded, stapled, or adhered (e.g., using epoxy, hot glue, etc.) to the parachute cords **210**.

In still other examples, the function of the shock absorber **214** can be included in the parachute cords **210**. In other words, in some examples, the parachute cords **210** can contain sufficient elasticity to serve the function of the shock absorber **214** to obviate the need for a separate shock absorber **214**. Similarly, as discussed above, in some instances the harness **212** may be unnecessary. To this end, in some examples, the parachute cords **210** can be attached to the backing sheet **202** and/or the shipping container **106** as shown, while in other cases, the parachute cords **210** can be attached to the backing sheet **202** and/or the shipping container **106** in multiple locations to effectively serve as a harness **212**. In other examples, such as on relatively small parachutes (e.g., for small, light shipping containers **106**), for example, the function of the harness **212** may simply be unnecessary enabling the attachment of all parachute cords **210** to a single location on the backing sheet **202** and/or the shipping container **106**.

As shown in FIG. 5, in some examples, the parachute canopy **208** can comprise a number of additional identifying features including, but not limited to, QR codes **502**, bar codes **504**, patterns **506**, warning labels **508**, and/or address labels **510**. In some examples, the parachute canopy **208** can be folded such that one or more of these identifying features is visible through the breakaway cover **204** when the parachute system **206** is in the stowed position. In this manner, the parachute canopy **208** can serve as the bill of lading, for example, or can provide the address, shipping information, or other information, for the package while the parachute system **206** is in the stowed position. In other words, one or more of the identifying features can be visible through the breakaway cover **204** in the stowed position.

In some examples, the parachute canopy **208** can comprise, for example, one or more QR codes **502** and/or bar codes **504**. The QR codes **502** and/or bar codes **504** can include information related to the parachute system **206** (e.g., maximum weight and/or size capacities), for example, the shipping container **106**, the contents of the shipping container **106**, the shipping center, and/or the delivery address of the shipping container **106**. In some examples, the QR code **502** can include information related to the maximum payload for the parachute system **206**, for example. In this manner, as the shipping container **106** is being prepared

for shipment and weighed, the QR code **502** can confirm that the correct shipping label parachute system **104** has been affixed to the shipping container **106** for the weight of the package.

In some examples, the parachute canopy **208** can also include one or more patterns **506**. In some examples, the patterns **506** can comprise a geometric, random, or other pattern to enable measurement of the movement of the parachute system **206** upon deployment. In some examples, the pattern **506** can be viewed by a camera, or other detection device, on the UAV **110** to detect the spin and/or descent rate of the parachute canopy **208**, for example, as it descends. In this manner, if the recipient of package claims that the package, equipment on the ground, people or animals were adversely impacted during delivery, for example, the manner in which the package descended can be reviewed to determine if the descent was the cause of the damage.

In some examples, the parachute canopy **208** can also include one or more warning labels **508**. The warning labels **508** may include warnings about choking or suffocation, similar to a dry cleaning bag, for example, or regarding the proper disposal of the parachute canopy **208** (e.g., recycling information). Finally, the parachute canopy **208** can also include an address label **510**. The address label **510** can include the return and destination address, for example, the method of shipment, and the weight of the shipping container **106**. In some examples, the address label **510** can also include tracking bar codes, or other information, relevant to shipping the package.

In still other examples, the parachute canopy **208** can include one or more advertisements, flyers, or other marketing materials. In some examples, the parachute canopy **208** can comprise coupons, for example, to encourage additional orders from the delivery customer. In other examples, the parachute canopy **208** can include “deals of the day (or week).” In still other examples, targeted advertising space can be sold on the parachute canopies **208**. In other words, based on the recipient’s order, advertising can be included on the parachute canopy **208** focused toward the recipient’s apparent interested based on the current order.

As shown in FIG. 6A, in some examples, the shipping label parachute system **104** may be adhered to the shipping container **106** using a suitable tape or adhesive. In this configuration, the tape or adhesive can be of sufficient strength to maintain the connection between the parachute system **206** and the shipping container. In this manner, the shipping label parachute system **104** with the parachute system **206** can simply be attached to the shipping container **106** in the same manner as a conventional shipping label.

As shown in FIG. 6B, in other examples, the shipping label parachute system **104** may be attached to the shipping container **106** using one or more straps **602** and fasteners **604**. In some examples, the straps **602** may be conventional polypropylene or steel straps and the fasteners **604** can be conventional crimp connectors. In this manner, the shipping label parachute system **104** can be attached to the shipping container using conventional packaging equipment. In still other examples, the shipping label parachute system **104** can include barbs, staples, or other means instead of, or in addition to, the aforementioned adhesives and straps to mechanically attach the shipping label parachute system **104** to the shipping container **106**.

In some examples, as shown in FIGS. 6A and 6B, the shipping label parachute system **104** can also include one or more shipping labels **606**, **608**. In some examples, the shipping labels **606**, **608** can be applied to a top surface of

the breakaway cover **204**. In other examples, the shipping labels **606**, **608** can be placed below the breakaway cover **204** and be visible through the clear breakaway cover **204**. In still other examples, the shipping labels **606**, **608** can be printed on the parachute canopy **208**. In this configuration, the parachute canopy **208** can be folded such that the shipping labels **606**, **608** are visible through the breakaway cover **204** in the stowed position.

In some examples, the shipping labels **606**, **608** can be adhered to the breakaway cover **204** such that they can be easily peeled off (e.g., using a removable adhesive). In this manner, a first shipping label **606** can contain shipping information for a first mode of transportation, for example, and a second shipping label **608** can contain shipping information for a second mode of transportation. In this manner, the mode of shipping can be selected at the actual point of shipping by simply removing the shipping label **606**, **608** for the appropriate (e.g., non-selected) shipping mode. As discussed below, this can enable the mode of transportation to be selected at the time of shipping based on demand, weather, weight, and cost, among other things.

As shown in FIGS. 7A and 7B, in some examples, the parachute cords **210** can be used to secure the parachute system **206** to the shipping label parachute system **104** and/or the shipping container **106**. As discussed above, in some examples, the backing sheet **202** can include adhesive on one side. In some examples, the backing sheet **202** can include a separate adhesive sheet **304**. In other examples, the adhesive can simply be applied to the first side of the backing sheet **202**.

Regardless, as shown in FIG. 7A, in some examples, the parachute cords **210** can be inserted through the first aperture **306** in the backing sheet **202** and then splayed in a substantially radial manner. When the shipping label parachute system **104** is applied to the shipping container **106**, therefore, the parachute cords **210** can be trapped between the backing sheet **202** and the shipping container **106** and further secured by the adhesive (or adhesive sheet **304**). In this manner, the surface contact between the ends of the second portion **210b** of the parachute cords **210** and the backing sheet **202** is increased, increasing the force required to pull the parachute cords **210** out during deployment and descent.

Similarly, as shown in FIG. 7B, the second portion **210b** of the parachute cords **210** can be arranged in a spiral pattern. This can further increase the surface contact between the ends of the parachute cords **210** and the backing sheet **202**. This may be useful for particularly heavy boxes, for example, that use larger parachute canopies **208** and thus, place additional stress on the parachute cords **210**. This may also be useful for smaller parachute canopies **208** that, in turn, use smaller parachute cords **210**, simply to increase the contact area between the parachute cords **210** and the backing sheet **202** and/or shipping container **106**.

In still other examples, as shown in FIG. 7C, the shipping label parachute system **104** may be attached to the shipping container **106** using one or more straps **602** and fasteners **604**. As mentioned above, in some examples, the straps **602** may be conventional polypropylene or steel straps and the fasteners **604** can be conventional crimp connectors. In this configuration, the parachute cords **210** can be attached to the straps to provide a mechanical connection to the shipping container **106**.

In some examples, the parachute cords **210** can be tied to the straps **602**. In other examples, the parachute cords **210** can be attached to the straps **602** using cable, or “zip,” ties **702**, staples, twist ties, or other suitable means. In still other

examples, the parachute cords **210** may be glued to the straps **602** during assembly of the shipping label parachute system **104**. In yet other examples, the parachute cords **210** may be stapled to the shipping container **106** prior to attaching the adhesive sheet **304** to the shipping container **106**. In any of these configurations, the shipping label parachute system **104** is provided with a mechanical bond, an adhesive bond, or both between the parachute cords **210** and the shipping container **106** further reducing the likelihood the parachute cords **210** pulling away from the shipping container **106** during the descent.

As discussed above, shipping containers **106** using shipping label parachute system **104** can be delivered using a variety of aerial vehicles including, but not limited to, airplanes, helicopters, and UAVs. A non-limiting example of a UAV is shown in FIG. 8A. In some example, the UAV **110** can include an onboard propulsion system **802**, which can include one or more motors or engines **804** driving propellers **806**. The UAV **110** can include the required processing and navigation power to receive instructions and travel from a pick-up location (e.g., a shipping or distribution location) to the delivery location (e.g., a home or business). In some examples, the UAV **110** may simply receive “turn-by-turn” directions from a central control system.

The UAV **110** can carry the shipping container **106** in a number of ways. In some examples, as shown, the UAV **110** can include mechanical arms **808** to grip the shipping container **106** on the sides. In other examples, the UAV **110** can include, for example, a suction system, magnet, or retractable shelf to carry the shipping container **106**. In still other examples, the shipping container **106** can include straps **602**, handles, loops, hooks, Velcro®, or other means to enable the UAV **110** to carry the shipping container **106**.

In some examples, the UAV **110** can also include a hook **810** for engagement with the static line **216** (when applicable). As discussed above, the hook **810** can provide the necessary pulling force on the static line **216** to open the parachute canopy **208** when the shipping container **106** is dropped from the UAV **110**. In some example, the static line **216** can detach from the parachute canopy **208** and remain on the hook **810**. In this manner, the static line **216** can be returned to the distribution location for reuse, recycling, or disposal.

In other examples, the hook **810** can be spring-loaded. In this manner, when the shipping container **106** is dropped, the hook **810** provides the necessary tension to deploy the parachute canopy **208**, but then pivots downward under the weight of the shipping container **106** to release the static line **216**. In this manner, the static line **216** can remain with the shipping container **106**, reducing drag and the possibility of entanglement with the UAV **110**, among other things. Although shown and described as a hook, the hook **810** can also comprise other mechanical or electro-mechanical means for holding the static line **216** such as, for example, a snap ring, pincer, or servo designed to retain the static line **216** until deployment.

The UAV **110** can further comprise a sensor system **812**. In some examples, the sensor system **812** can comprise one or more cameras. The UAV **110** can include a camera, for example, for use during navigation and to enable the UAV **110** to record and/or analyze the descent of the shipping container **106**, among other things. In some examples, the sensor system **812** can also be used to verify, for example, the descent path, landing location, and attitude of the package on the ground (e.g., to determine if the package landed

on its side). In some examples, the sensor system **812** can also be used to verify addresses, locate landmarks, relay traffic information, etc.

In some examples, the sensor system **812** can comprise stereoscopic cameras, for example, to enable the system to calculate the position and/or descent rate of the shipping container **106** after deployment. In other examples, the sensor system **812** can include, for example, radar or sonar sensors for this purpose. In this manner, if a package is damaged during delivery, the descent of the package from the UAV to the delivery location can be confirmed or eliminated as the source of the damage. In some examples, the sensor system **812** can work in concert with patterns **506** disposed on the parachute canopy **208** to determine descent rate, descent angle, and spin of the parachute canopy **208**, among other things.

As discussed above, and shown in FIG. **8B**, in some examples, the shipping label parachute system **104** can comprise an adhesive static line system **314**. In this configuration, an adhesive patch **316** can be in contact with a surface **814** on the UAV **110**. As the name implies, the adhesive patch **316** can literally be a piece of adhesive paper, or other sticky surface, configured to stick to the surface **814** of the UAV **110**. In other examples, the adhesive patch **316** can comprise a hook and loop material with a complementary hook and loop material disposed on the surface **814** of the UAV **110**. Regardless of the configuration, the adhesive strength between the adhesive patch **316** and the surface **814** is preferably strong enough to pull open the parachute canopy **208**, but weak enough to release under the weight of the package. In this manner, the opening of the parachute canopy is expedited, yet there is no static line **216** to retrieve and/or dispose of.

As shown in FIG. **9**, examples of the present disclosure can also comprise a method **900** for preparing a package for shipment by a UAV. As shown, because the planform of the shipping label parachute system **104** is substantially similar to that of a conventional shipping label, much of the shipping and handling process for a package can remain unchanged from convention practices. At **902**, for example, the item(s) **904** to be delivered can be placed in the shipping container **106**. Of course, the size of the shipping container **106** can be determined based on the size and weight of the item(s) **904**. In some examples, a variety of shipping containers **106** with predetermined size and weight constraints can be paired with appropriately sized shipping label parachute systems **104** (and thus, parachute systems **206**).

At **906**, appropriate packing material **908** can be placed in the shipping container **106** with the item(s) **904**. In some examples, the packing material **908** can comprise conventional packing materials such as, for example, "packing peanuts," inflatable bladders, foam, or Styrofoam sheets. In other examples, the packing materials **908** can be selected based on the parachute system **206** employed. In other words, the packing materials **908** can be chosen to match the rates descent rate of a particular parachute system **206**. In this manner, the packing materials **908** and the parachute system **206** can comprise a complementary system for protecting the item(s) **904** during delivery. In some examples, different packing materials can be used for delivery by UAV than by conventional delivery methods.

At **910**, the shipping container **106** can be sealed in an appropriate manner using, for example, tape and the shipping label parachute system **104** can be applied to the shipping container **106**. Because the shipping label parachute system **104** has a similar planform to a conventional shipping label (i.e., one that provides, for example, a bill of

lading or address information), it can be applied to the shipping container **106** in a conventional manner. When the shipping label parachute system **104** has an adhesive backing, for example, the user can simply remove the protective sheet **302** (e.g., waxed paper) and apply the shipping label parachute system **104** to the shipping container **106**.

At **912**, the user can determine the appropriate mode of delivery. If the weather is unfavorable for delivery by UAV **110**, for example, the user may choose to deliver the package by conventional means such as, for example, by truck **914**. Unfavorable conditions for delivery can include, for example, times of high demand, high winds, or heavy rain that make delivery by UAV **110** expensive, difficult, dangerous, or impossible. At **916**, upon determining the mode of delivery, the shipping label **606** for the non-selected mode of delivery can be removed, with the applicable shipping label **608** left in place. In this manner, only information relevant to the chosen mode of delivery (e.g., by UAV **110**) remains on the shipping container **106** to avoid confusion. In some examples, the shipping label **606** may include information related to both forms of shipment on a single label. In this configuration, removal of the "extra" shipping label is obviated.

At **918**, the shipping container **106** can be attached to the UAV **110**. As discussed above, this can be done using a number of appropriate means including, but not limited to, cargo hooks, cargo bays, pincers, mechanical arms, magnets, suction cups, or retractable shelves. At **920**, the static line **216** (if used) can be attached to the hook **810** on the UAV **110**. The package is now ready for delivery by the UAV **110**.

As shown in FIGS. **10A** and **10B**, examples of the present disclosure can also comprise a method **1000** for delivering a package via UAV. As shown in FIG. **10A**, at **1002**, the UAV **110**, having been previously loaded with one or more shipping containers **106** can receive routing information from a central control **1004**. In some examples, the central control **1004** can be connected via a wireless or wired connection to the UAV **110** to provide routing instructions. In some examples, as shown, the central control **1004** can be connected to the UAV **110** via a cellular connection **1006** to enable the central control **1004** and the UAV **110** to remain in communication during all, or most, of the UAV's **110** flight.

In some examples, the UAV **110** can include onboard navigation via cellular or global position system (GPS) signals, for example. In this configuration, the central control **1004** may simply send an address or GPS coordinates to the UAV **110**. In this configuration, the UAV **110** can be capable of flying the received route autonomously or semi-autonomously. In other examples, the navigational computations may be provided by the central control **1004**, with the central control **1004** providing "turn-by-turn" directions to the UAV **110**.

At **1008**, the UAV **110** can activate its propulsion system and take off. At **1010**, the UAV **110** can navigate the route from the distribution location (e.g., a distribution or shipping center) to the delivery location **114**. As discussed above, the UAV **110** may navigate using, for example, cellular location services, GPS, the onboard sensors, or a combination thereof. In some examples, the UAV **110** may provide status updates to the central control **1004** and/or receive location updates from the central control **1004** en route.

At **1012**, the UAV **110** can determine if it has reached the delivery location **114**. In some examples, the UAV **110** can verify that it has reached the delivery location **114** using cellular location or GPS coordinates. In other examples, the UAV **110** can periodically send its current location to the

15

central control **1004**. In this configuration, the central control **1004** can provide directions to the UAV **110** and inform the UAV **110** when it has reached the delivery location **114**. In some examples, the UAV **110** can determine (or verify) it has reached the delivery location **114** using the sensor system **812**. This can include viewing local signage and/or the address on a house or mailbox with an onboard camera, for example.

As shown in FIG. **10B**, at **1016**, the UAV **110** can activate the sensor system **812** (if it is not already active) to record the descent of the package from the UAV **110** to the ground at the delivery location **114**. As discussed above, this can include recording video footage, including stereoscopic video footage, of the package as it descends from the UAV **110**. The descent of the package may also be measured using radar, sonar, or other sensors, as desired, to provide additional data. In some examples, the sensor system **812** may be activated during the entire flight.

The descent of the shipping container **106** can be recorded to provide information related to, for example, the deployment of the parachute system **206**, the descent speed, direction, and spin. The descent of the shipping container **106** can be recorded to verify the landing location at altitude of the shipping container **106** and to ensure that the shipping container **106** did not collide with people, vehicles, or other objects on the ground. This can be useful to determine if damage reported to the shipping container **106** (or contents **904**) or by the shipping container **106** is valid, to determine the cause, and to take remedial action, as necessary.

At **1018**, the UAV **110** can drop the package. In some examples, the UAV **110** may ascend or descend to a predetermined height to drop the shipping container **106** to ensure proper parachute system **206** deployment. In some examples, different sized parachute systems **206** may have different minimum height requirements based on the size of the parachute canopy **208**, the weight of the shipping container **106**, wind conditions, etc. As discussed above, dropping the shipping container **106** may also cause the deployment of the parachute system **206** via the static line **216**. The sensor system **812** can monitor the descent of the shipping container **106** from the UAV **110** to the ground at the delivery location **114**.

At **1020**, in some examples, the UAV **110** can verify that the shipping container **106** is safely on the ground. This can include verifying zero velocity using the sensor system **812**, for example, or by verifying that the parachute canopy **208** is lying slack on the ground. In some examples, the UAV **110** may send sensor data or pictures to the central control **1004** for verification by a central control **1004** computer or worker.

In some examples, the UAV **110** and/or the central control **1004** can compare the current altitude of the UAV **110** and the distance from the UAV **110** to the shipping container **106** to ensure the shipping container **106** has safely reached the ground. If the shipping container **106** has been caught in a tree or landed on the roof, for example, the UAV **110** can determine that the shipping container **106** is still above ground level and send a message to the central control **1004**.

The message can enable the central control **1004** to log an anomaly and/or send support staff to the delivery location **114** to retrieve or reposition the package, as necessary. This can also enable the support staff to assess any damage to the shipping container **106** and/or the delivery location **114** and proactively take appropriate action. In some examples, the sensor system **812** can also verify that the shipping label parachute system **104** is facing up, indicating that the shipping container **106** has landed upright. This may be done

16

by verifying that the backing sheet **202**, for example, is visible from the UAV **110** and facing up. At **1022**, the UAV **110** can return to the distribution center.

As shown in FIGS. **11A-11C**, in some examples, the shipping label parachute system **104** can comprise a plurality of sizes. As shown, the shipping label parachute system **104** can comprise a small **104a**, medium **104b**, and large **104c** shipping label for shipping small, medium, and large packages, respectively. In this manner, the size of the shipping label parachute system **104** can be adjusted based on the size of the required parachute system **206**, the area required to secure the shipping label parachute system **104** to the shipping container **106** (i.e., via the backing sheet **202**), or other factors. In some examples, the weight and/or size constraints for the largest shipping label **104c**, for example, can be based on the size and/or weight constraints of the UAV **110**. In this manner, packages that are too heavy or large to be delivered by UAV **110** can be identified and shipped via alternative modes of transportation.

As shown, each shipping label parachute system **104a**, **104b**, **104c** can be associated with a related parachute system **206a**, **206b**, **206c**, respectively. In this manner, the size of the parachute system **206** can be indicated by the size of the exterior of the shipping label parachute system **104**. This can enable users to readily identify the different size and capacity shipping label parachute systems **104**. In some examples, the size of the parachute system **206** may also dictate whether a harness **212** is used (FIGS. **11B** and **11C**) or not (FIG. **11A**). As mentioned above, the harness **212** may be desirable to prevent tangling on larger parachute systems **106b**, **106c**, for example, but may be unnecessary for smaller parachute systems **106a**. Similarly, smaller parachute systems **206a**, for example, may not require a static line **216**, or may use the adhesive static system **218**, discussed above.

In some examples, each shipping label parachute system **104** can be associated with one or more matching shipping containers **106**. In this manner, each box, or group of boxes, and the respective shipping label parachute system **104** have the same weight and/or size requirements. In this manner, if the item **904** to be shipped meets the size and weight requirement for the shipping container **106**, it can also be safely delivered with the related shipping label parachute system **104**. In this manner, the selection of the proper shipping label parachute system **104**—and the proper parachute system **206**—is simplified. In some examples, the shipping label parachute system **104** may be preinstalled on the appropriate shipping containers **106** to avoid mismatches.

In some examples, as shown, the small shipping label **104a** can have a smaller planform than the medium **104b** and large **104c** shipping labels. In this manner, the shipping label parachute system **104**, and their respective parachute systems **206**, can be identified by the size of the shipping label parachute system **104**. In other examples, larger parachute systems **206** can be folded such that all parachute systems **206** fit inside shipping label parachute system **104** of the same dimensions (albeit somewhat thicker). In some examples, the different sized shipping label parachute systems **104** may be color-coded, conspicuously labeled, or otherwise identified.

In some examples, the size of the shipping label parachute system **104** can be determined based on a predetermined, maximum landing speed for the shipping container **106**. In other words, different items **904** and packing materials **908** may require different landing speeds to avoid damage. On the one extreme, a baseball or a towel packed in a shipping container **106**, for example, could probably be dropped

17

without a parachute (or with a very small parachute) though the shipping container 106 may be damaged. On the other extreme, pottery or wine glasses may require relatively low landing speeds to prevent breakage, regardless of the shipping container 106 and packing material 908.

The predetermined landing speed for a shipping container 106 can be determined based on, for example, the shock absorbing properties and strength of the shipping container 106 and packing materials 908, coupled with the strength (or fragility) of the items 904 in the shipping container 106. In some examples, the shipping container 106, packing materials 908, and shipping label parachute system 104 can be matched such that the landing speed of the shipping container 106 is lower than the predetermined landing speed for any stocked item 904 that can be shipped in that shipping container 106. In other examples, the predetermined landing speed (or maximum g-force) for each item 904 to be shipped can be determined experimentally to enable an appropriate shipping label parachute system 104, shipping container 106, and packing material 908 "system" to be determined for each item 904.

As shown in FIG. 12, in some examples, more than one shipping label parachute system 104 can be used. This can be useful for particularly heavy, large, or awkward shipping container 106. Heavy shipping container 106, for example, may simply exceed the weight limit for the largest shipping label parachute system 104; and thus, may require more than one parachute system 206 to provide safe descent. In other examples, as shown, the shipping container 106 may be a shipping tube, or similar, that would otherwise dangle or spin precariously from a single parachute system 206.

In some examples, when multiple shipping label parachute systems 104 are used, the shipping label parachute systems 104 can be placed at a predetermined distance from one another to substantially prevent the multiple parachute systems 206 from interfering with one another. In other words, the shipping label parachute systems 104 can be placed at sufficient distance from one another to prevent entanglement of the respective parachute cords 210, impingement of one canopy 208 on another, etc. In other examples, such as when a shipping container 106 is only slightly over the weight limit for a single shipping label parachute system 104, for example, interaction between the two shipping label parachute systems 104 may be inconsequential.

While several possible examples are disclosed above, examples of the present disclosure are not so limited. For instance, while a system is described primarily for use with UAVs, the system could also be used in conjunction with airplanes, helicopters, and other aerial vehicles. In addition, the location and configuration of various features of examples of the present disclosure such as, for example, the static line hook on the UAV, the type of harness used on the parachute, or the type and location of adhesives on the backing sheet can be varied according to a particular parachute system, UAV, shipping container, or by weight and/or size constraints placed in the system. Such changes are intended to be embraced within the scope of this disclosure.

The specific configurations, choice of materials, and the size and shape of various elements can be varied according to particular design specifications or constraints requiring a device, system, or method constructed according to the principles of this disclosure. Such changes are intended to be embraced within the scope of this disclosure. The presently disclosed examples, therefore, are considered in all respects to be illustrative and not restrictive. The scope of the disclosure is indicated by the appended claims, rather than

18

the foregoing description, and all changes that come within the meaning and range of equivalents thereof are intended to be embraced therein.

5 What is claimed is:

1. A system to deliver a package via an unmanned aerial vehicle (UAV), the system comprising:

a shipping container to house an item to be delivered; and
a shipping label parachute system coupled to the shipping container, the shipping label parachute system comprising:

a base sheet having a first side and a second side, wherein the second side is coupled to the shipping container;

a transparent breakaway cover having a first side and a second side, wherein at least a portion of the second side is coupled to the first side of the base sheet such that the base sheet and the breakaway cover form a pocket;

a parachute canopy, disposed in the pocket in a stowed position, the parachute canopy sized and shaped to slow the shipping container, during a free-fall descent, to a speed equal to, or less than, a predetermined landing speed when the shipping container is dropped from the UAV;

a plurality of parachute cords, each with a first end and a second end, the first ends of the parachute cords coupled to the parachute canopy and the second ends of the parachute cords at least partially disposed between the second side of the base sheet and the shipping container; and

a data label detachably coupled to, or printed on, the parachute canopy and visible through the first side of the breakaway cover in the stowed position, including information associated with shipping the package.

2. The system of claim 1, wherein the second side of the base sheet further comprises an adhesive to couple the shipping label parachute system to the shipping container.

3. The system of claim 1, further comprising one or more straps to couple the shipping label parachute system to the shipping container.

4. The system of claim 1, further comprising:

a static line, with a first end and a second end, the first end of the static line coupled to the parachute canopy and the second end of the static line coupleable to the UAV; wherein at least a portion of the static line protrudes through an aperture in the breakaway cover in the stowed position.

5. The system of claim 1, wherein the data label comprises one or more of an address or GPS coordinates associated with a shipping location for the package.

6. The system of claim 1, wherein the data label comprises one or more of a quick response (QR) code or a bar code.

7. A parachute shipping label comprising:

a base sheet having a first side and a second side, the first side of the base sheet coupleable to a shipping container;

a transparent breakaway cover having a first side and a second side, a portion of the first side of the breakaway cover coupled to a portion of the second side of the base sheet such that the base sheet and the breakaway cover form a pocket;

a parachute canopy, sized and shaped to be disposed in the pocket in a stowed position;

a plurality of parachute cords, each with a first end and a second end, the first ends of the parachute cords

19

coupled to the parachute canopy and the second ends of the parachute cords coupled to a portion of the base sheet; and

a data label detachably coupled to, or printed on, the parachute canopy and visible through the first side of the breakaway cover in the stowed position, including information associated with shipping the package.

8. The parachute shipping label of claim 7, wherein the base sheet further comprises an adhesive applied to the first side of the base sheet to attach the parachute shipping label to the shipping container;

wherein the second ends of the plurality of parachute cords are inserted through an aperture in the base sheet and affixed to the adhesive.

9. The parachute shipping label of claim 8, further comprising:

a removable protective sheet disposed over the second ends of the plurality of parachute cords and the adhesive.

10. The parachute shipping label of claim 8, wherein the second ends of the plurality of parachute cords are disposed in a substantially spiral-shaped pattern on the adhesive.

11. The parachute shipping label of claim 8, wherein the second ends of the plurality of parachute cords are disposed in a substantially radial pattern on the adhesive.

12. The parachute shipping label of claim 7, further comprising:

a shock absorber, with a first end and a second end, the first end of the shock absorber coupled to the second ends of the plurality of parachute cords and the second end of the shock absorber coupled to a portion of the base sheet.

13. The parachute shipping label of claim 7, further comprising:

a shock absorber disposed between the first ends and the second ends of the plurality of parachute cords.

14. The parachute shipping label of claim 7, wherein the breakaway cover further comprises:

one or more perforated lines to enable the breakaway cover to open upon deployment of the parachute canopy.

15. The parachute shipping label of claim 7, wherein the parachute canopy further comprises:

20

one or more patterns formed on the parachute canopy to enable at least one of a descent speed, distance, and spin of the parachute canopy to be determined.

16. The parachute shipping label of claim 7, further comprising:

a harness disposed between the first ends and the second ends of the plurality of parachute cords to substantially prevent at least one of tangling of the plurality of parachute cords and spinning of the parachute canopy with respect to the shipping container.

17. A method comprising:

inserting a portion of a plurality of parachute cords through an aperture in a base sheet;

adhering the portion of the plurality of parachute cords to an adhesive sheet located on a first side of the base sheet;

applying a removable backing sheet over the portion of the plurality of parachute cords and the adhesive sheet; placing a folded parachute canopy on a second side of the base sheet;

adhering at least a portion of a first side of a transparent breakaway cover to the second side of the base sheet to enclose the parachute canopy; and

providing a data label detachably coupled to, or printed on, the parachute canopy and visible through the first side of the breakaway cover, including information associated with shipping the package.

18. The method of claim 17, further comprising:

attaching a first end of a static line to a portion of the folded parachute canopy; and

inserting a second end of the static line through a second aperture in the breakaway cover from the first side to a second side.

19. The method of claim 17, further comprising:

perforating a portion of the first side, a second side, or both of the breakaway cover to facilitate deployment of the parachute canopy.

20. The method of claim 17, further comprising:

printing one or more identifying features on the parachute canopy;

wherein at least one of the one or more identifying features is visible through the breakaway cover in a stowed position.

* * * * *